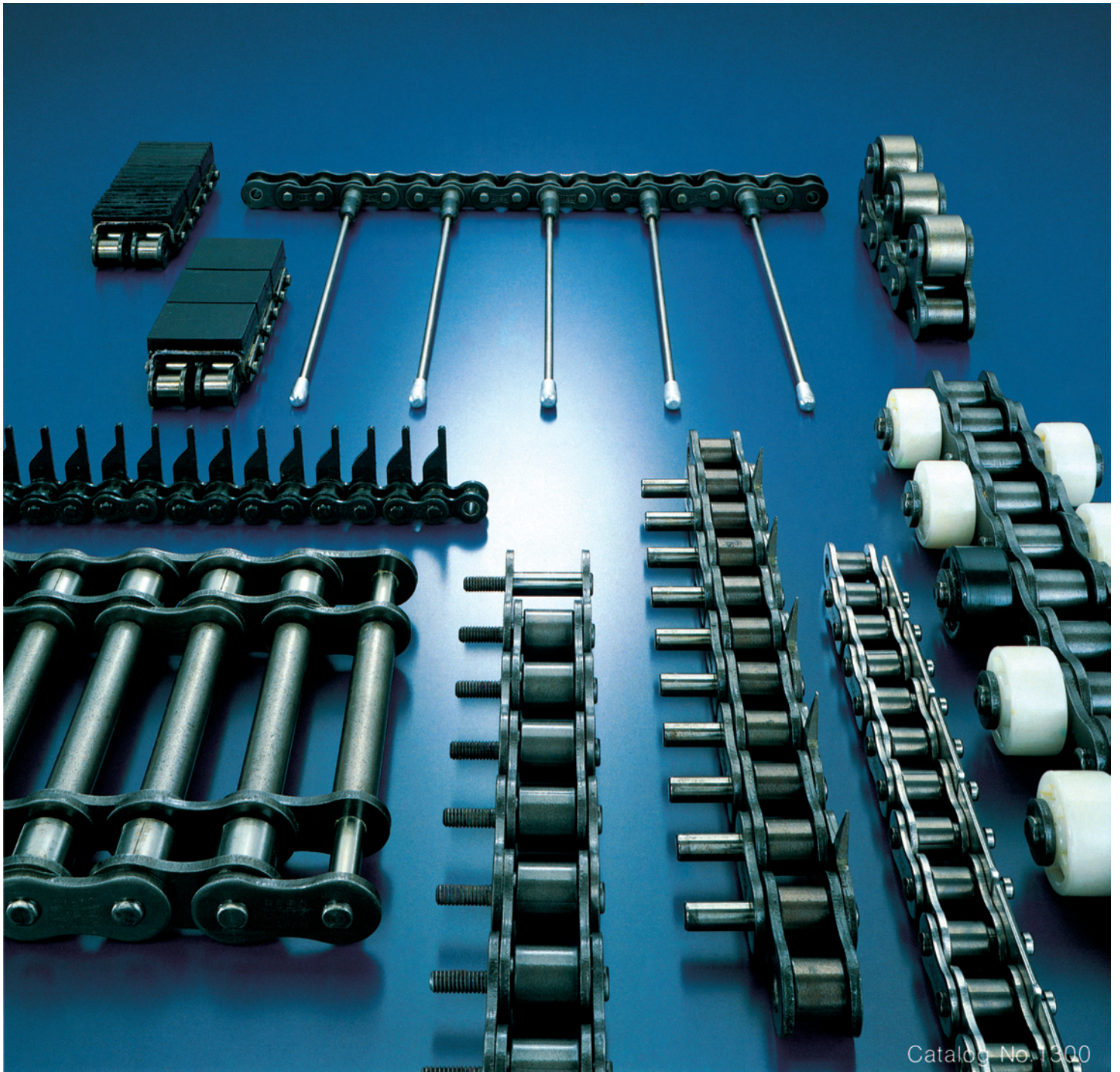




TSUBAKI PLUS α ALPHA

HI-TECH ATTACHMENT CHAIN



INTRODUCING



HIGH-TECH ATTACHMENT CHAIN

Plus α Alpha Chains are top quality custom Tsubaki chains, order made for any special conveying application or requirement.

These Tsubaki designed chains combine with attachments, or special chain parts to take on a wide range of conveying assignments.

For an easy and economical solution to design or installation problems, Tsubaki offers a sensible and highly functional line-up of various types of conveyor and roller base chain for perfect compatibility with the attachments or special chain parts you require.

Benefits like—

- Custom Engineering Chain features at a reasonable cost
- High strength
- Proven reliability
- Easy selection
- Quick delivery
- Outstanding performance

—make Tsubaki's new Plus α Alpha a choice that deserves attention.

Attachment chains other than the listed Plus α Alpha line-up are also available or can be promptly manufactured according to your requirements.

Let us know what your requirements are. Tsubaki is at your service.

CHOOSE THE MOST SUITABLE CHAIN FOR YOUR APPLICATION

	Applications		Specifications	Chain type	Page
1	Easy to attach slat	1-1	Press nut attachment	NM	2
		1-2	Extended pin with screw	EN	3
		1-3	Extended pin with clip	EC	4
2	Convey material directly on the chain	2-1	Double pitch with deep link	RFD	5
		2-2	RF type roller chain	RF	5
		2-3	Ground attachment	PG	6
		2-4	Heat fixed rubber pads	PSG	8
		2-5	Heat treated top plates	YP	8
		2-6	Bent end top plates	SM	9
		2-7	Inclined top plates	CT	9
3	Convey material between chains	3-1	Attachment with rubber	RSG	10
		3-2	Internally bent attachment	UM	10
4	Wide chain	4-1	Stay pin	ST	11
		4-2	Roller table	RT	13
5	Convey material storing and conveying	5-1	Double strands of top roller	TR	14
		5-2	Plastic top roller	TRP	15
		5-3	Top roller with holding attachment	TG	16
		5-4	Plastic outboard roller	Prevent snaking SG	17
		5-5	Plastic roller	SP	17
6	Curved conveyor chains	6-1	Guide roller	GR	18
		6-2	Hollow pin and guide roller	HP-GR	19
		6-3	TNV anti-lifting chain	UA	19
		6-4	Attachment with guide plate	GP	20
		6-5	Attachment with guide roller	GR	21
7	Support for rolling material	7-1	Attachment with bushing	AB	22
8	Chain used with slats	8-1	Double pitch chain with crescent plate	CL	23
		8-2	RF double pitch chain with slats (riveted)	SLT	23
		8-3	RF double pitch chain with slats (welded)	SLW	24
		8-4	RS roller chain with slats	SLT	24
9	Special atmosphere	9-1	Hollow-pin chain made of 18-8 SUS	SS	25
		9-2	Stainless steel chain made of ANSI 316	NS	26
		9-3	Dual strand SUS roller chain	SS	27
		9-4	Titanium chain	TI	27
		9-5	Low temperature specification	KT	28
10	Convey long and narrow material	10-1	Sticker attachment	FS	29
		10-2	Clip attachment	KU	29
11	Convey receptacles	11-1	Extended Pin	ON	30
		11-2	Can feeder chain	KF	31
12	Convey rod shaped material	12-1	Register chain	RE	32
13	Other applications	13-1	BS chain with attachment	RS-B	33
		13-2	Hollow-pin chain with attachment	HP	35
		13-3	Oilless attachment	SL	37
		13-4	Large chain (more than RS 180) with attachment	RS	38
		13-5	FX chain	FX	39
		13-6	Double strands with attachment	RS•RF	40
		13-7	D-5 attachment	D5	42
		13-8	Magnetic attachment	MG	42
		13-9	No bend type	NB	43
		13-10	Push pull chain	PB	43
		13-11	Dog attachment chain	KD	44

SUS=Stainless steel

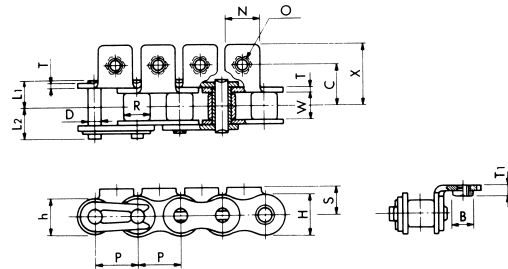
1. Chain for Easy Slat Attachment

1.1 Press Nut Attachment (Chain type: NM)

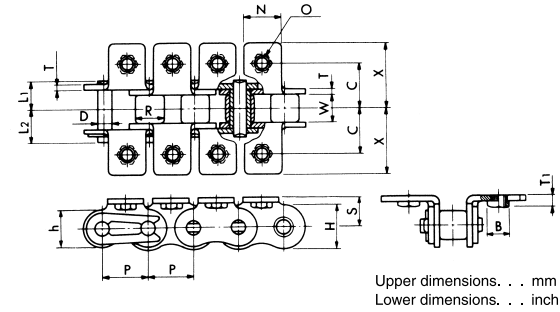
This chain has an attachment with nut.

Both are heat treated to ensure sufficient strength.

A-1 with press nut attachment

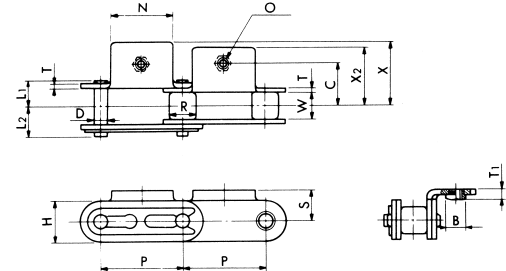


K-1 with press nut attachment

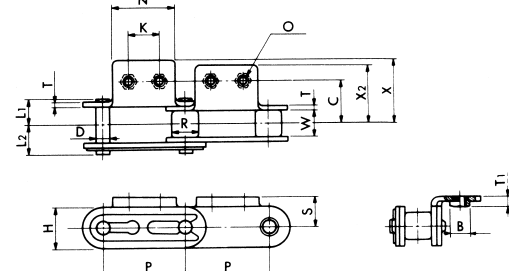


TSUBAKI Chain No.	Pitch P	Width Between Roller Link Plates W	Roller Diameter R	Pin			Link Plate		Attachment							CL Type	
				D	L ₁	L ₂	h	H	T	C	N	O	B	S	X		T ₁
RS 40	12.70 (1/2)	7.95 (5/16)	7.92 (5/16)	3.97 (0.156)	8.25 (0.324)	9.95 (0.391)	10.4 (0.409)	12.0 (0.472)	1.5 (0.059)	12.7 (0.500)	9.5 (0.374)	M3	5.5 (0.217)	8.0 (0.314)	17.8 (0.700)	3.6 (0.142)	Spring clip
RS 50	15.875 (5/8)	9.53 (3/8)	10.16 (0.4)	5.09 (0.200)	10.3 (0.405)	12.0 (0.472)	13.0 (0.511)	15.0 (0.590)	2.0 (0.078)	15.9 (0.625)	12.7 (0.500)	M4	7.0 (0.276)	10.3 (0.405)	23.4 (0.921)	4.3 (0.169)	Spring clip
RS 60	19.05 (3/4)	12.70 (1/2)	11.91 (15/32)	5.96 (0.234)	12.85 (0.505)	14.75 (0.580)	15.6 (0.614)	18.1 (0.712)	2.4 (0.094)	19.05 (0.750)	15.9 (0.625)	M5	8.0 (0.315)	11.9 (0.468)	28.2 (1.110)	5.5 (0.217)	Spring clip

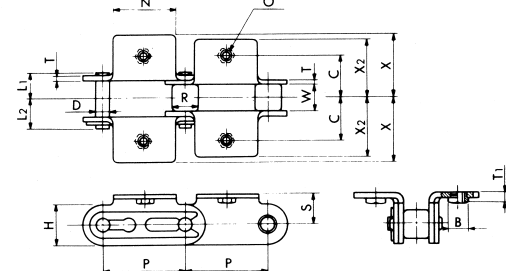
A-1 with press nut attachment



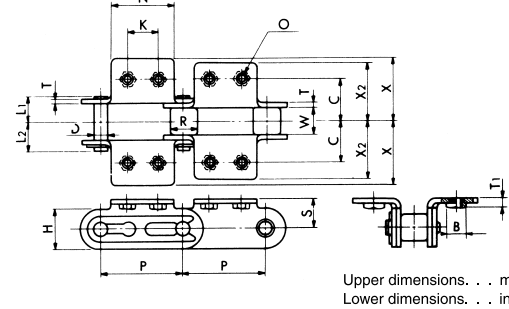
A-2 with press nut attachment



K-1 with press nut attachment



K-2 with press nut attachment

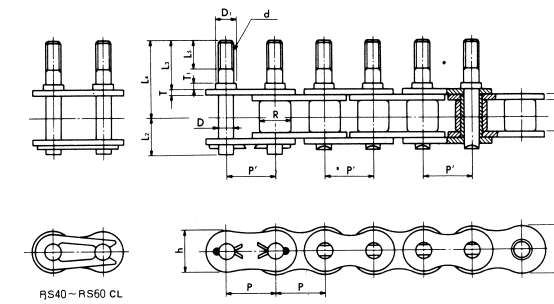


TSUBAKI Chain No.	Pitch P	Width Between Roller Link Plates W	Roller Diameter R		Pin			Link Plate		Attachment							CL Type		
			"S" Roller	"R" Roller	D	L ₁	L ₂	H	T	C	K	N	O	B	S	X		X ₂	T ₁
RF2040-S RF2040-R	25.40 (1)	7.95 (5/16)	7.92 (5/16)	15.88 (5/8)	3.97 (0.156)	8.25 (0.324)	9.95 (0.391)	12.0 (0.472)	1.5 (0.059)	12.7 (0.500)	9.5 (0.374)	19.1 (0.751)	M3	5.5 (0.217)	9.1 (0.358)	19.3 (0.759)	17.6 (0.692)	3.6 (0.142)	Spring clip
RF2050-S RF2050-R	31.75 (1 1/4)	9.53 (3/8)	10.16 (0.4)	19.05 (3/4)	5.09 (0.200)	10.3 (0.405)	12.0 (0.472)	15.0 (0.590)	2.0 (0.078)	15.9 (0.625)	11.9 (0.468)	23.8 (0.937)	M4	7.0 (0.276)	11.1 (0.437)	24.2 (0.952)	22.0 (0.866)	4.3 (0.169)	Spring clip
RF2060-S RF2060-R	38.10 (1 1/2)	12.70 (1/2)	11.91 (15/32)	22.23 (7/8)	5.96 (0.234)	14.55 (0.572)	16.55 (0.651)	17.2 (0.677)	3.2 (0.125)	21.45 (0.844)	14.3 (0.562)	28.6 (1.125)	M5	8.0 (0.315)	14.7 (0.578)	31.5 (1.240)	28.2 (1.110)	6.3 (0.248)	Spring clip

1.2 Extended Pin with Screw (Chain type: EN)

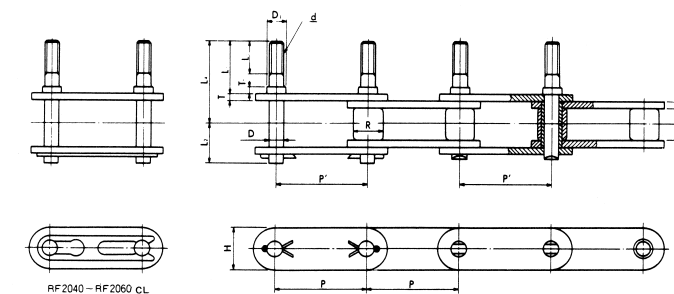
Extended pin (hardened alloy steel) has a screw for tool attachment.

Only P' is possible for installing an attachment such as a tool attachment for two pins. Please inform us of the precise length of P'.



TSUBAKI Chain No.	Pitch P	Width Between Roller Link Plates W	Roller Diameter R	Pin			Link Plate				CL Type	
				D	D ₁	d	T ₁	L ₂	h	H		T
RS 40	12.70 (1/2)	7.95 (5/16)	7.92 (5/16)	3.97 (0.156)	5.0 (0.196)	M4	1.5 (0.059)	9.95 (0.391)	10.4 (0.409)	12.0 (0.472)	1.5 (0.059)	Spring clip
RS 50	15.875 (5/8)	9.53 (3/8)	10.16 (0.4)	5.09 (0.200)	6.35 (0.250)	M5	2.0 (0.078)	12.0 (0.472)	13.0 (0.511)	15.0 (0.590)	2.0 (0.078)	Spring clip
RS 60	19.05 (3/4)	12.70 (1/2)	11.91 (15/32)	5.96 (0.234)	8.35 (0.328)	M6	2.4 (0.094)	14.75 (0.580)	15.6 (0.614)	18.1 (0.712)	2.4 (0.094)	Spring clip
RS 80	25.40 (1)	15.88 (5/8)	15.88 (5/8)	7.94 (0.312)	10.00 (0.393)	M8	3.2 (0.125)	19.25 (0.757)	20.8 (0.818)	24.1 (0.948)	3.2 (0.125)	Cotter pin
RS 100	31.75 (1 1/4)	19.05 (3/4)	19.05 (3/4)	9.54 (0.375)	11.60 (0.456)	M10	4.0 (0.157)	22.85 (0.899)	26.0 (1.023)	30.1 (1.185)	4.0 (0.157)	Cotter pin
RS 120	38.10 (1 1/2)	25.40 (1)	22.23 (7/8)	11.11 (0.437)	13.20 (0.519)	M12	4.8 (0.188)	28.9 (1.137)	31.2 (1.228)	36.2 (1.425)	4.8 (0.188)	Cotter pin

Note: Please specify your required dimensions for L₃ and L₅ or L₄ and L₅, when ordering.

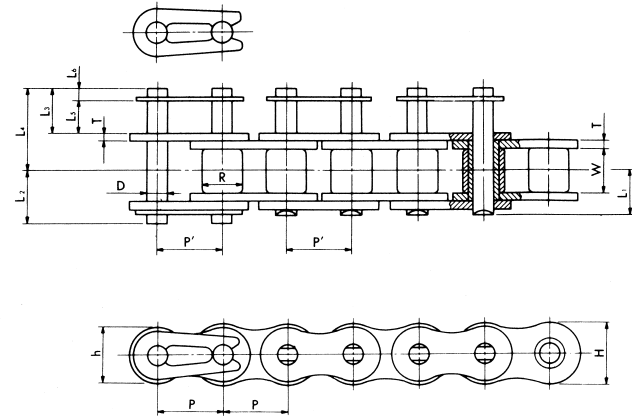


TSUBAKI Chain No.	Pitch P	Width Between Roller Link Plates W	Roller Diameter R		Pin			Link Plate				CL Type
			"S" Roller	"R" Roller	D	D ₁	d	T ₁	L ₂	H	T	
RF2040-S RF2040-R	25.40 (1)	7.95 (5/16)	7.92 (5/16)	15.88 (5/8)	3.97 (0.156)	5.0 (0.196)	M4	1.5 (0.059)	9.95 (0.391)	12.0 (0.472)	1.5 (0.059)	Spring clip
RF2050-S RF2050-R	31.75 (1 1/4)	9.53 (3/8)	10.16 (0.4)	19.05 (3/4)	5.09 (0.200)	6.35 (0.250)	M5	2.0 (0.078)	12.0 (0.472)	15.0 (0.590)	2.0 (0.078)	Spring clip
RF2060-S RF2060-R	38.10 (1 1/2)	12.70 (1/2)	11.91 (15/32)	22.23 (7/8)	5.96 (0.234)	8.35 (0.328)	M6	2.4 (0.094)	16.55 (0.651)	17.2 (0.677)	3.2 (0.125)	Spring clip
RF2080-S RF2080-R	50.80 (2)	15.88 (5/8)	15.88 (5/8)	28.58 (1 1/8)	7.94 (0.312)	10.00 (0.393)	M8	3.2 (0.125)	20.9 (0.822)	23.0 (0.905)	4.0 (0.157)	Cotter pin
RF2100-S RF2100-R	63.50 (2 1/2)	19.05 (3/4)	19.05 (3/4)	39.69 (1 5/8)	9.54 (0.375)	11.60 (0.456)	M10	4.0 (0.157)	24.5 (0.964)	28.6 (1.125)	4.8 (0.188)	Cotter pin

Note: Please specify your required dimensions for L₃ and L₅ or L₄ and L₅, when ordering.

1.3 Extended Pin with Clip (Chain type: EC)

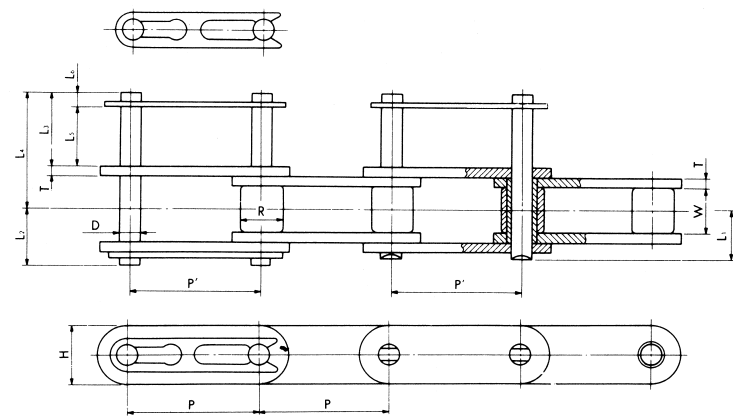
It is possible to install an attachment such as a tool attachment with a clip. Only P' is possible for installing an attachment for two pins. Please inform us of the precise length of P'.



Upper dimensions. . . mm
Lower dimensions. . . inch

TSUBAKI Chain No.	Pitch P	Width Between Roller Link Plates W	Roller Diameter R	Pin				Link Plate			CL Type
				D	L ₁	L ₂	L ₆	h	H	T	
RS 40	12.70 (1/2)	7.95 (5/16)	7.92 (5/16)	3.97 (0.156)	8.25 (0.324)	9.95 (0.391)	2.8 (0.110)	10.4 (0.409)	12.0 (0.472)	1.5 (0.059)	Spring clip
RS 50	15.875 (5/8)	9.53 (3/8)	10.16 (0.4)	5.09 (0.200)	10.3 (0.405)	12.0 (0.472)	3.0 (0.118)	13.0 (0.511)	15.0 (0.590)	2.0 (0.078)	Spring clip
RS 60	19.05 (3/4)	12.70 (1/2)	11.91 (15/32)	5.96 (0.234)	12.85 (0.580)	14.75 (0.580)	3.4 (0.133)	15.6 (0.614)	18.1 (0.712)	2.4 (0.094)	Spring clip

Note: Please specify your required dimensions for L₃ and L₅ or L₄ and L₅, and spacing of extended pin with clip, when ordering.



Upper dimensions. . . mm
Lower dimensions. . . inch

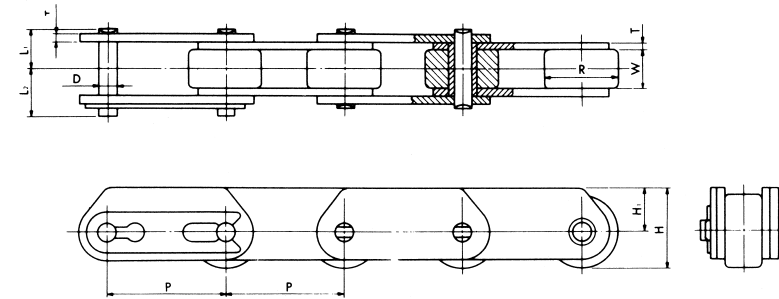
TSUBAKI Chain No.	Pitch P	Width Between Roller Link Plates W	Roller Diameter R		Pin				Link Plate		CL Type	
			"S" Roller	"R" Roller	D	L ₁	L ₂	L ₆	H	T		
RF2040-S	RF2040-R	25.40 (1)	7.95 (5/16)	7.92 (5/16)	15.88 (5/8)	3.97 (0.156)	8.25 (0.324)	9.95 (0.391)	2.8 (0.110)	12.0 (0.472)	1.5 (0.059)	Spring clip
RF2050-S	RF2050-R	31.75 (1 1/4)	9.53 (3/8)	10.16 (0.4)	19.05 (3/4)	5.09 (0.200)	10.3 (0.405)	12.0 (0.472)	3.0 (0.118)	15.0 (0.590)	2.0 (0.078)	Spring clip
RF2060-S	RF2060-R	38.10 (1 1/2)	12.70 (1/2)	11.91 (15/32)	22.23 (7/8)	5.96 (0.234)	14.55 (0.572)	16.55 (0.651)	3.4 (0.133)	17.2 (0.677)	3.2 (0.125)	Spring clip

Note: Please specify your required dimensions for L₃ and L₅ or L₄ and L₅, and spacing of extended pin with clip, when ordering.

2. Convey Material Directly on Chain

2.1 Double Pitch with Deep link (Chain type: RFD)

This chain is based on the same dimensions as standard RF double pitch chain, but with H₁ higher than the top of the roller.

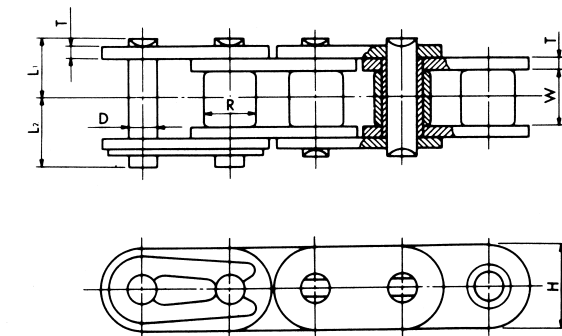


Upper dimensions. . . mm
Lower dimensions. . . inch

TSUBAKI Chain No.	Pitch P	Width Between Roller Link Plates W	Roller Diameter R	Pin			Link Plate			CL Type	Average Tensile Strength kgf (lbs.)	Maximum Allowable Load kgf (lbs.)
				D	L ₁	L ₂	H	H ₁	T			
RFD2040-R	25.40 (1)	7.95 (5/16)	15.88 (5/8)	3.97 (0.156)	8.25 (0.324)	9.95 (0.391)	17.9 (0.704)	10.0 (0.393)	1.5 (0.059)	Spring clip	1700 (3700)	270 (600)
RFD2050-R	31.75 (1 1/4)	9.53 (3/8)	19.05 (3/4)	5.09 (0.200)	10.3 (0.405)	12.0 (0.472)	21.5 (0.846)	12.0 (0.472)	2.0 (0.078)	Spring clip	2800 (6100)	440 (970)
RFD2060-R	38.10 (1 1/2)	12.70 (1/2)	22.23 (7/8)	5.96 (0.234)	14.55 (0.572)	16.55 (0.651)	25.1 (0.988)	14.0 (0.551)	3.2 (0.125)	Spring clip	4100 (9000)	640 (1400)
RFD2080-R	50.80 (2)	15.88 (5/8)	28.58 (1 1/8)	7.94 (0.312)	18.3 (0.720)	20.9 (0.822)	32.2 (1.267)	18.0 (0.708)	4.0 (0.157)	Cotter pin	7000 (15400)	1090 (2400)

2.2 RF Type Roller Chain (Chain type: RF)

This chain has standard (small) rollers with flat shape link plates. Chain should be used with even number of pitches.



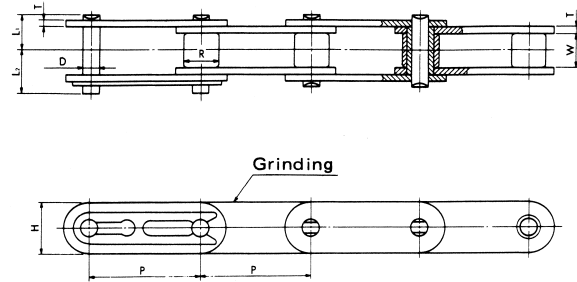
Upper dimensions. . . mm
Lower dimensions. . . inch

TSUBAKI Chain No.	Pitch P	Width Between Roller Link Plates W	Roller Diameter R	Pin			Link Plate		Average Tensile Strength kgf (lbs.)	Maximum Allowable Load kgf (lbs.)	CL Type
				D	L ₁	L ₂	H	T			
RF 06B	9.525 (3/8)	5.72 (0.225)	6.35 (1/4)	3.28 (0.129)	6.48 (0.255)	7.52 (0.296)	8.2 (0.322)	1.27 (0.050)	910 (2000)	—	Spring clip
RF 40	12.70 (1/2)	7.95 (5/16)	7.92 (5/16)	3.97 (0.156)	8.25 (0.324)	9.95 (0.391)	12.0 (0.472)	1.5 (0.059)	1700 (3700)	270 (600)	Spring clip
RF 50	15.875 (5/8)	9.53 (3/8)	10.16 (0.4)	5.09 (0.200)	10.3 (0.405)	12.0 (0.472)	15.0 (0.590)	2.0 (0.078)	2800 (6100)	440 (970)	Spring clip
RF 60	19.05 (3/4)	12.70 (1/2)	11.91 (15/32)	5.96 (0.234)	12.85 (0.505)	14.75 (0.580)	18.1 (0.712)	2.4 (0.094)	4100 (9000)	640 (1400)	Spring clip
RF 80	25.40 (1)	15.88 (5/8)	15.88 (5/8)	7.94 (0.312)	16.25 (0.639)	19.25 (0.757)	24.1 (0.948)	3.2 (0.125)	7000 (15400)	1090 (2400)	Cotter pin
RF 100	31.75 (1 1/4)	19.05 (3/4)	19.05 (3/4)	9.54 (0.375)	19.75 (0.777)	22.85 (0.899)	28.6 (1.126)	4.0 (0.157)	11000 (24200)	1740 (3800)	Cotter pin
RF 120	38.10 (1 1/2)	25.40 (1)	22.23 (7/8)	11.11 (0.437)	24.9 (0.980)	28.9 (1.137)	34.4 (1.354)	4.8 (0.188)	15400 (33900)	2440 (5300)	Cotter pin

Note: No offset links are available.

2.3 Ground Attachment (Chain type: PG)

The upper surface of the link plate has been ground to provide a smooth conveying surface and to protect the conveyed material from damage.

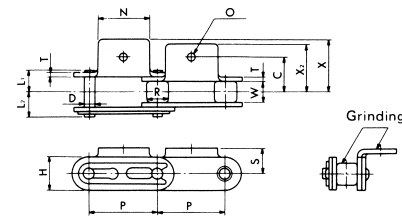


Upper dimensions. . . mm
Lower dimensions. . . inch

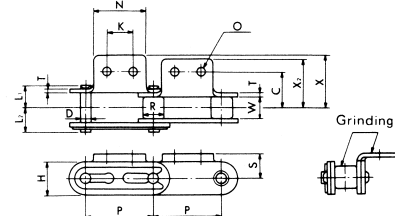
TSUBAKI Chain No.	Pitch P	Width Between Roller Link Plates W	Roller Diameter R	Pin			Link Plate		CL Type
				D	L ₁	L ₂	H	T	
RF 2040-S	25,40 (1)	7,95 (⁵ / ₁₆)	7,92 (⁵ / ₁₆)	3,97 (0,156)	8,25 (0,324)	9,95 (0,391)	11,9 (0,468)	1,5 (0,059)	Spring clip
RF 2050-S	31,75 (1 1/4)	9,53 (³ / ₈)	10,16 (0,4)	5,09 (0,200)	10,3 (0,405)	12,0 (0,472)	14,9 (0,586)	2,0 (0,078)	Spring clip
RF 2060-S	38,10 (1 1/2)	12,70 (1/2)	11,91 (¹⁵ / ₃₂)	5,96 (0,234)	14,55 (0,572)	16,55 (0,651)	17,1 (0,673)	3,2 (0,125)	Spring clip
RF 2080-S	50,80 (2)	15,88 (⁵ / ₈)	15,88 (⁵ / ₈)	7,94 (0,312)	18,3 (0,720)	20,9 (0,822)	22,7 (0,893)	4,0 (0,157)	Cotter pin

For chain with attachment, the upper surface of the attachment and the outer surface of the roller are ground.

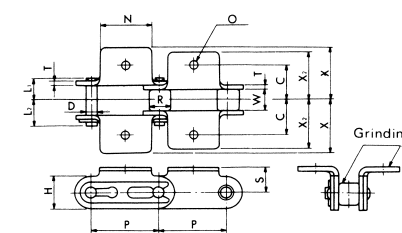
A-1 Attachment



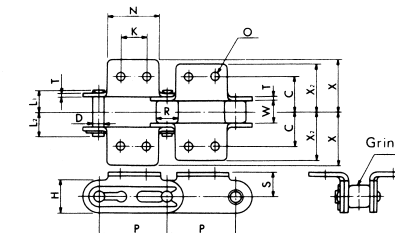
A-2 Attachment



K-1 Attachment



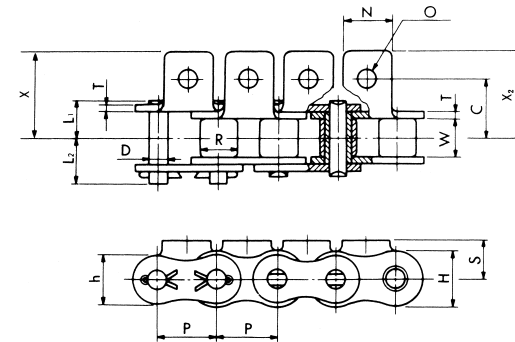
K-2 Attachment



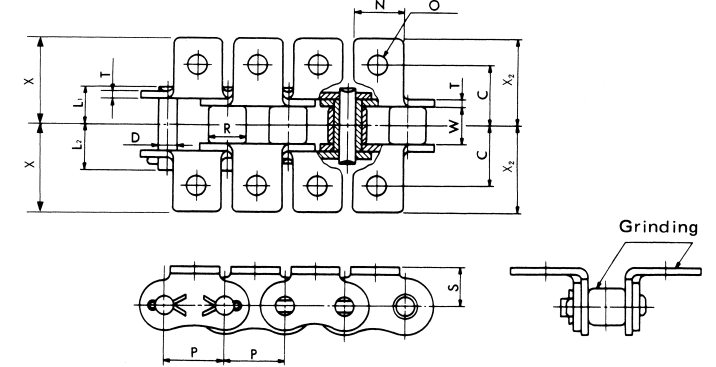
Upper dimensions. . . mm
Lower dimensions. . . inch

TSUBAKI Chain No.	Pitch P	Width Between Roller Link Plates W	Roller Diameter R		Pin			Link Plate		Attachment						CL Type	
			"S" Roller	"R" Roller	D	L ₁	L ₂	H	T	C	K	N	O	S	X		X ₂
RF 2040	25,40 (1)	7,95 (⁵ / ₁₆)	7,9 (0,312)	15,8 (0,622)	3,97 (0,156)	8,25 (0,324)	9,95 (0,391)	12,0 (0,472)	1,5 (0,059)	12,7 (0,500)	9,5 (0,374)	19,1 (0,751)	3,6 (0,141)	8,9 (0,350)	19,3 (0,759)	17,6 (0,692)	Spring clip
RF 2050	31,75 (1 1/4)	9,53 (³ / ₈)	10,12 (0,398)	18,97 (0,746)	5,09 (0,200)	10,3 (0,405)	12,0 (0,472)	15,0 (0,590)	2,0 (0,078)	15,9 (0,625)	11,9 (0,468)	23,8 (0,937)	5,2 (0,204)	10,9 (0,429)	24,2 (0,952)	22,0 (0,872)	Spring clip
RF 2060	38,10 (1 1/2)	12,70 (1/2)	11,88 (¹⁵ / ₃₂)	22,15 (0,872)	5,96 (0,234)	14,55 (0,572)	17,2 (0,677)	3,2 (0,125)	21,45 (0,844)	14,3 (0,562)	28,6 (1,125)	5,2 (0,204)	14,4 (0,566)	31,5 (1,240)	28,2 (1,110)	Spring clip	
RF 2080	50,80 (2)	15,88 (⁵ / ₈)	15,71 (0,618)	28,50 (1,122)	7,94 (0,312)	18,30 (0,720)	20,90 (0,822)	23,0 (0,905)	4,0 (0,157)	27,8 (1,094)	19,1 (0,751)	38,1 (1,500)	6,8 (0,267)	18,8 (0,740)	40,7 (1,602)	36,6 (1,440)	Cotter pin

A-1 Attachment



K-1 Attachment



Upper dimensions. . . mm
Lower dimensions. . . inch

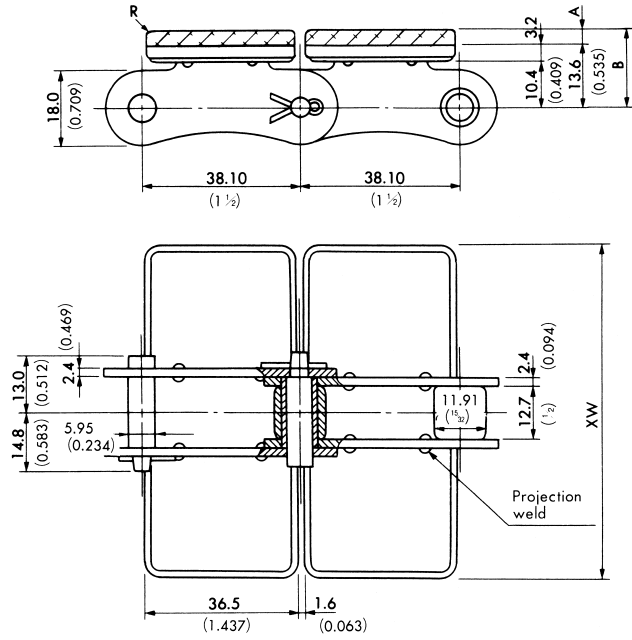
TSUBAKI Chain No.	Pitch P	Width Between Roller Link Plates W	Roller Diameter R	Pin			Link Plate			Attachment					CL Type
				D	L ₁	L ₂	h	H	T	C	N	O	S	X	
RS 40	12,70 (1/2)	7,95 (⁵ / ₁₆)	7,90 (0,311)	3,97 (0,156)	8,25 (0,324)	9,95 (0,391)	10,4 (0,409)	12,0 (0,472)	1,5 (0,059)	12,7 (0,500)	9,5 (0,374)	3,6 (0,141)	7,8 (0,307)	17,8 (0,700)	Spring clip
RS 50	15,875 (⁵ / ₈)	9,53 (³ / ₈)	10,12 (0,398)	5,09 (0,200)	10,3 (0,405)	12,0 (0,472)	13,0 (0,511)	15,0 (0,590)	2,0 (0,078)	15,9 (0,625)	12,7 (0,500)	5,2 (0,204)	10,1 (0,397)	23,4 (0,921)	Spring clip
RS 60	19,05 (³ / ₄)	12,70 (1/2)	11,88 (¹⁵ / ₃₂)	5,96 (0,234)	12,85 (0,505)	14,75 (0,580)	15,6 (0,614)	18,1 (0,712)	2,4 (0,094)	19,05 (0,750)	15,9 (0,625)	5,2 (0,204)	11,6 (0,456)	28,2 (1,110)	Spring clip
RS 80	25,40 (1)	15,88 (⁵ / ₈)	15,71 (0,618)	7,94 (0,312)	16,25 (0,639)	19,25 (0,757)	20,8 (0,818)	24,1 (0,948)	3,2 (0,125)	25,4 (1,000)	19,1 (0,751)	6,8 (0,267)	15,6 (0,614)	36,6 (1,440)	Cotter pin
RS 100	31,75 (1 1/4)	19,05 (³ / ₄)	18,83 (0,741)	9,54 (0,375)	19,75 (0,777)	22,85 (0,899)	26,0 (1,023)	30,1 (1,185)	4,0 (0,157)	31,75 (1,250)	25,4 (1,000)	8,7 (0,342)	19,4 (0,763)	44,9 (1,767)	Cotter pin
RS 120	38,10 (1 1/2)	25,40 (1)	22,01 (0,866)	11,11 (0,437)	24,9 (0,980)	28,9 (1,137)	31,2 (1,228)	36,2 (1,425)	4,8 (0,188)	38,1 (1,500)	28,6 (1,125)	10,3 (0,405)	22,6 (0,889)	56,2 (2,21)	Cotter pin
RS 140	44,45 (1 3/4)	25,40 (1)	25,18 (0,991)	12,71 (0,500)	26,9 (1,059)	31,7 (1,248)	36,4 (1,433)	42,2 (1,661)	5,6 (0,220)	44,5 (1,751)	34,9 (1,374)	11,9 (0,468)	28,2 (1,110)	64,6 (2,54)	Cotter pin
RS 160	50,80 (2)	31,75 (1 1/4)	28,36 (1,116)	14,29 (0,562)	31,85 (1,253)	36,85 (1,450)	41,6 (1,637)	48,2 (1,897)	6,4 (0,251)	50,8 (2,000)	38,1 (1,500)	14,3 (0,562)	31,4 (1,236)	73,7 (2,90)	Cotter pin

Note: X, X₂ are the width of the attachments on the pin link and roller link respectively. [for RS40-RS100, X=X₂; for RS120, X₂=51,2(2,016); for RS140, X₂=58,0(2,283); for RS160, X₂=66,0(2,598)]



2.4 Attachment with Heat Fixed Rubber Pads (Chain type: PSG)

To prevent damage to the conveyed objects, rubber pads are heat fixed to the top plates.



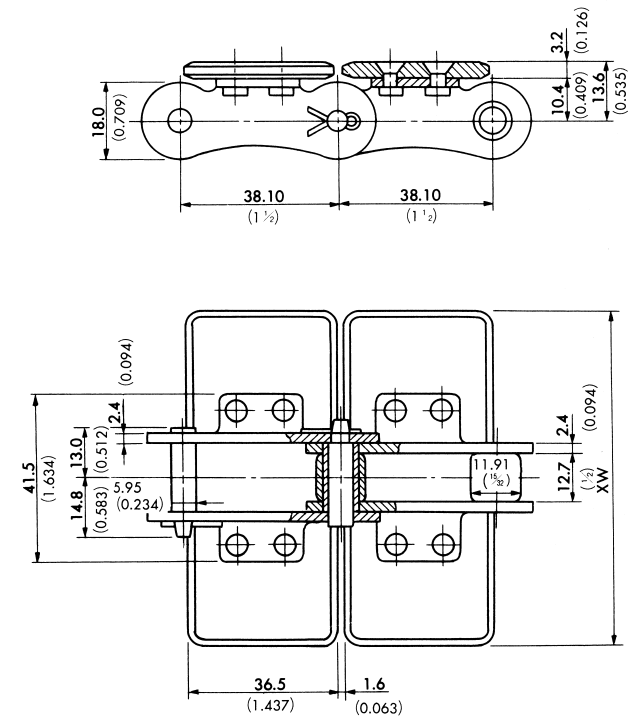
Upper dimensions . . . mm
Lower dimensions . . . inch

TSUBAKI Chain No.	XW	A	B	R	Maximum Allowable Load kgf (lbs.)
TS 826	82.6 (3.252)	5 (0.197)	18.6 (0.732)	3 (0.118)	300
TS 110	110.0 (4.331)	3 (0.118)	16.6 (0.654)	1 (0.039)	(660)

Note: 1. Nitril rubber is used
2. Construction from stainless steel is also available upon request. (Allowable tensile strength: 105 kgf)

2.5 Attachment with Heat Treated Top Plates (Chain type: YP)

The carbon steel top plate is heat treated for improved resistance to damage.



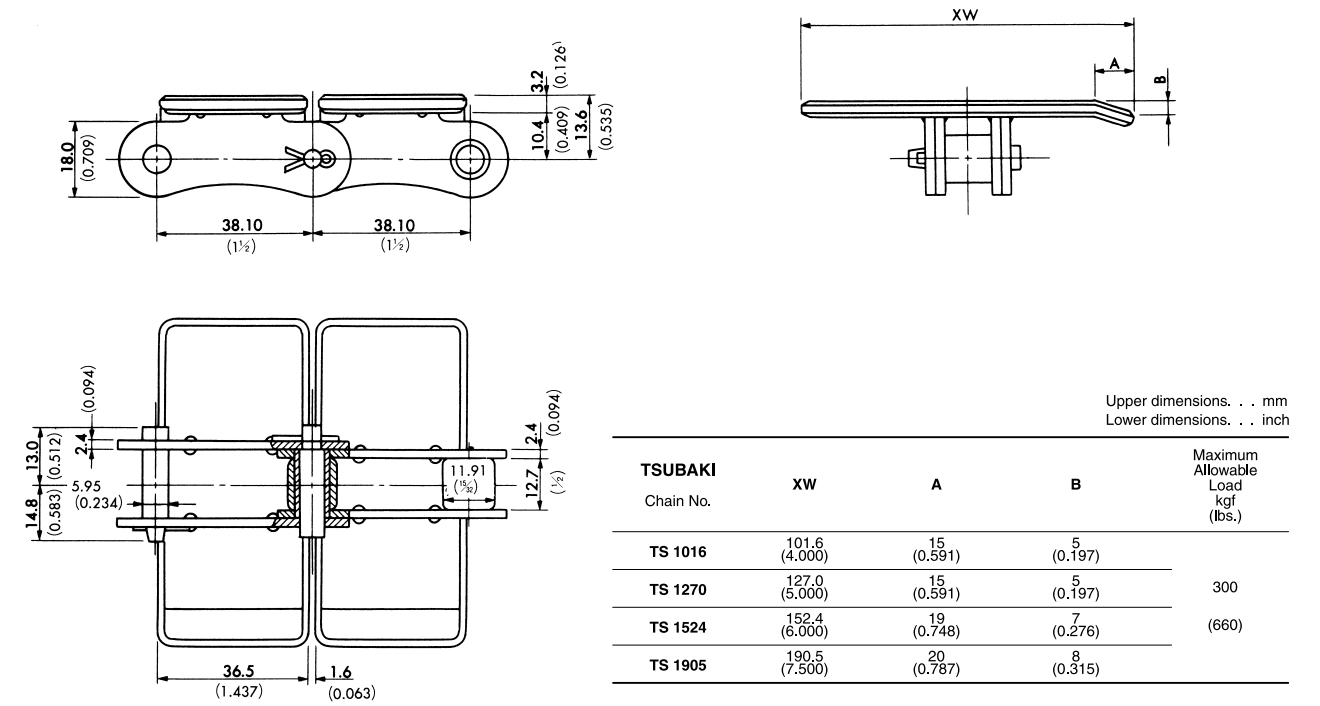
Upper dimensions . . . mm
Lower dimensions . . . inch

TSUBAKI Chain No.	XW	Maximum Allowable Load kgf (lbs.)
TS 550	55.0 (2.165)	
TS 635	63.5 (2.500)	
TS 762	76.2 (3.000)	300
TS 826	82.6 (3.252)	(660)
TS 950	95.0 (3.740)	
TS 1016	101.6 (4.000)	

Note: The top plate hardness is approximately HRC50. (Chain is Standard specification except for the top plates)

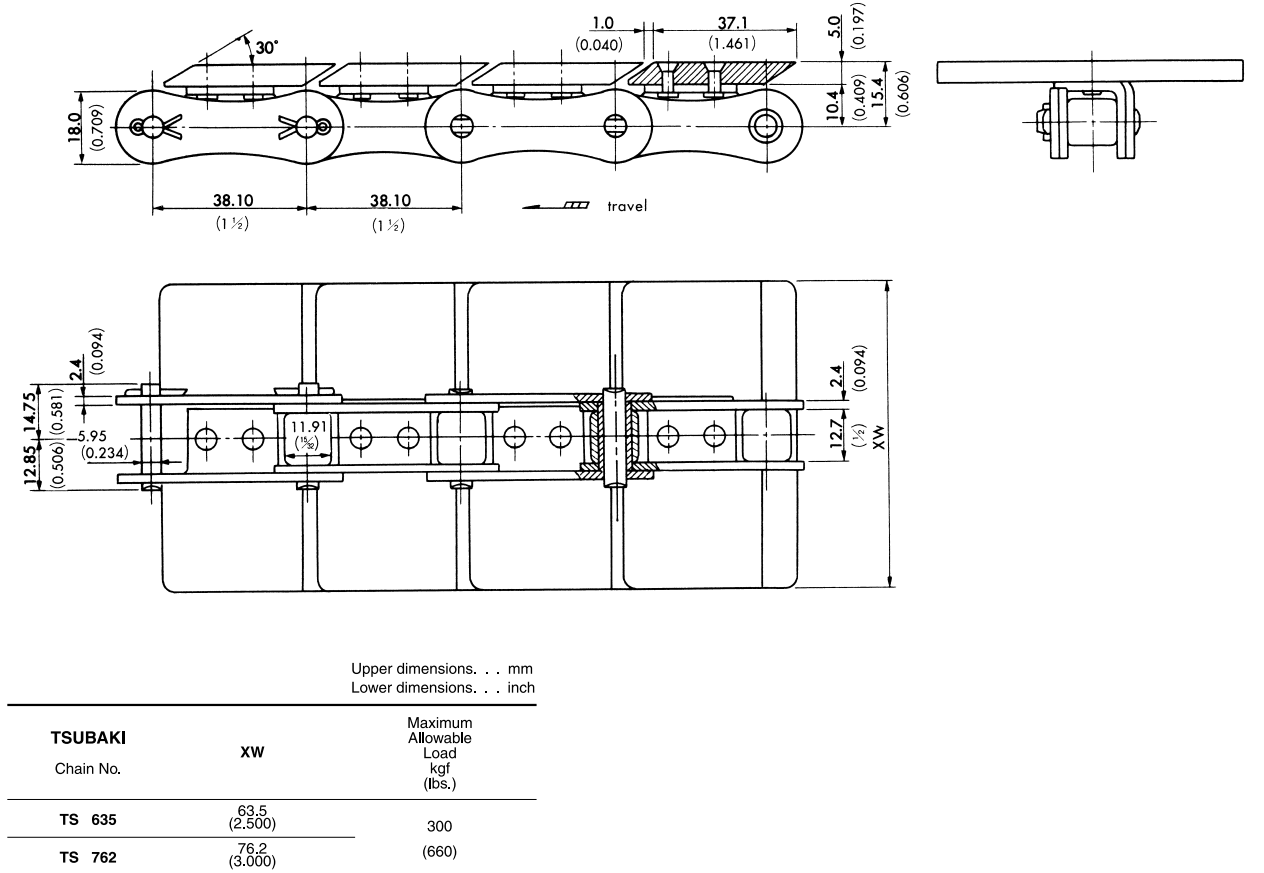
2.6 Attachment with Bent End Top Plates (Chain type: SM)

Bent end top plates allows easy sideways transfer of the conveyed objects.



2.7 Attachment with Inclined Top Plates (Chain type: CT)

The space between the top plate slats are small.

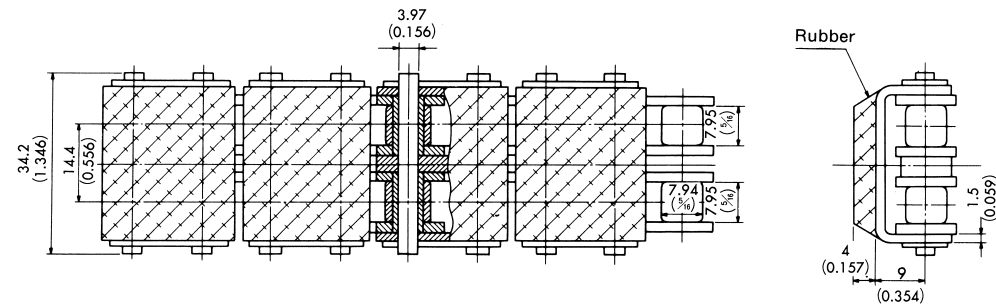


3. Convey Material Between Chains

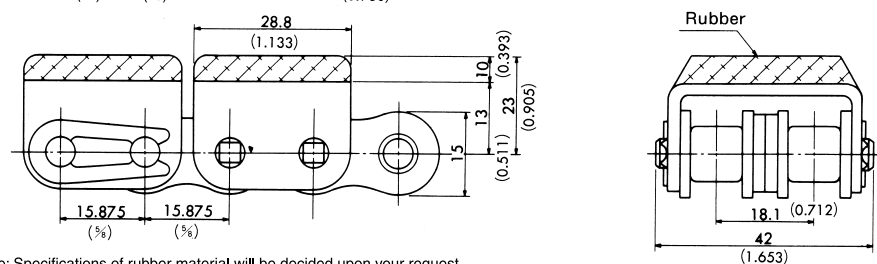
3.1 Attachment with Rubber (Chain type: RSG)

The attachment has an upper layer of rubber for smooth conveying and protection of breakable material from damage.

RS40-2



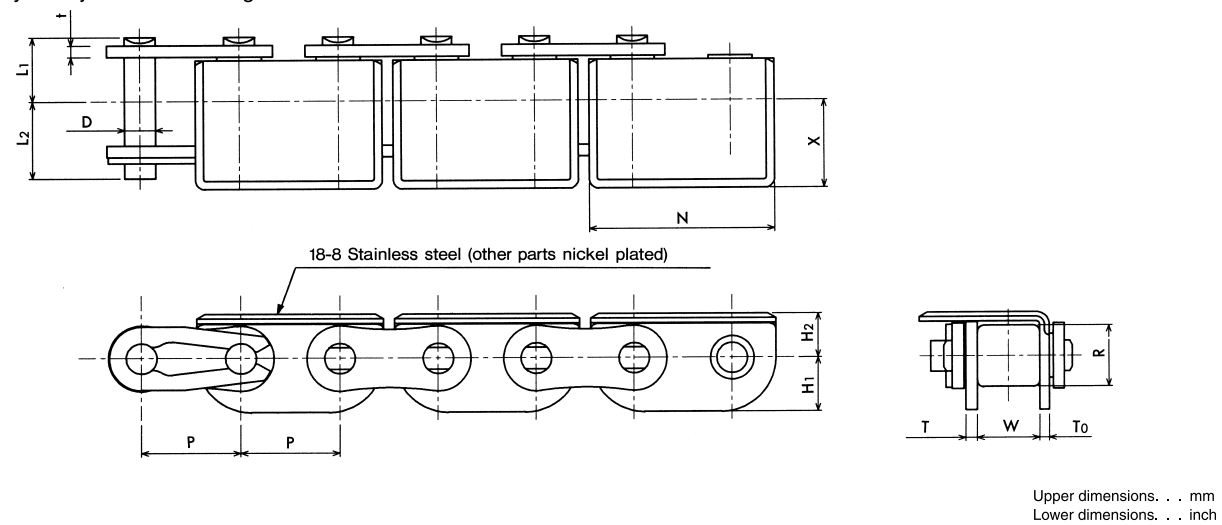
RS50-2



Note: Specifications of rubber material will be decided upon your request.

3.2 Attachment with Internally Bent Attachment (Chain type: UM)

The top plates of the internally bent attachments are chamfered to protect the conveyed objects from damage.



Upper dimensions. . . mm
Lower dimensions. . . inch

TSUBAKI Chain No.	Pitch P	Width Between Roller Link Plates W	Roller Diameter R	Pin			Link Plate						
				D	L ₁	L ₂	H ₁	H ₂	N	X	T	t	To
RS 40	12.70 (1/2)	7.95 (5/16)	7.92 (5/16)	3.97 (0.156)	8.25 (0.325)	9.95 (0.392)	7.0 (0.276)	5.7 (0.224)	24.4 (0.961)	11.2 (0.441)	1.5 (0.060)	1.5 (0.060)	1.2 (0.047)
RS 50	15.875 (5/8)	9.53 (5/8)	10.16 (0.4)	5.09 (0.200)	10.3 (0.406)	12.0 (0.472)	8.5 (0.335)	7.1 (0.280)	30.5 (1.200)	13.1 (0.516)	2.0 (0.080)	2.0 (0.080)	1.5 (0.069)

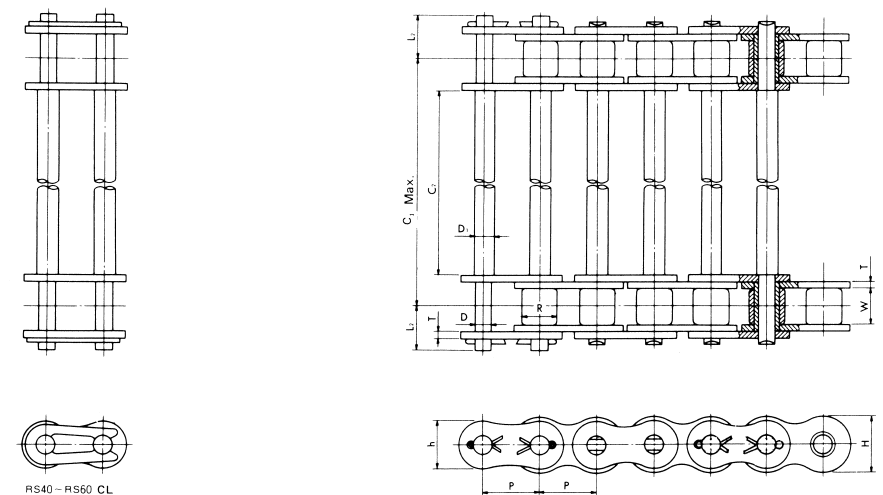
4. Wide Chains

4.1 Stay Pin (Chain type: ST)

This chain is suitable for conveying on the pins. A net can be easily installed.



RS Type

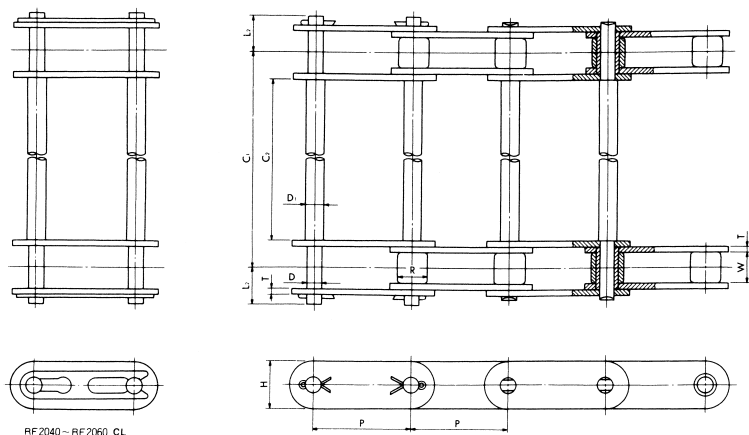


Upper dimensions. . . mm
Lower dimensions. . . inch

TSUBAKI Chain No.	Pitch P	Width Between Roller Link Plates W	Roller Diameter R	Pin		Link Plate			Attachment		CL Type
				D	L ₂	h	H	T	D ₁	C ₁ , C ₂	
RS 35*	9.525 (3/8)	4.78 (5/16)	5.08 (0.200)	3.59 (0.141)	6.85 (0.270)	7.8 (0.307)	9.0 (0.354)	1.25 (0.050)	5.0 (0.197)		Spring clip
RS 40	12.70 (1/2)	7.95 (5/16)	7.92 (5/16)	3.97 (0.156)	9.95 (0.391)	10.4 (0.409)	12.0 (0.472)	1.5 (0.059)	5.84 (0.229)		Spring clip
RS 50	15.875 (5/8)	9.53 (5/8)	10.16 (0.4)	5.09 (0.200)	12.0 (0.472)	13.0 (0.511)	15.0 (0.590)	2.0 (0.078)	6.35 (0.250)		Spring clip
RS 60	19.05 (3/4)	12.70 (1/2)	11.91 (15/32)	5.96 (0.234)	14.75 (0.580)	15.6 (0.614)	18.1 (0.712)	2.4 (0.094)	8.29 (0.326)		Spring clip
RS 80	25.40 (1)	15.88 (5/8)	15.88 (5/8)	7.94 (0.312)	19.25 (0.757)	20.8 (0.818)	24.1 (0.948)	3.2 (0.125)	9.88 (0.389)	Designated by C ₁ or C ₂	Cotter pin
RS 100	31.75 (1 1/4)	19.05 (5/8)	19.05 (5/8)	9.54 (0.375)	22.85 (0.899)	26.0 (1.023)	30.1 (1.185)	4.0 (0.157)	11.46 (0.451)		Cotter pin
RS 120	38.10 (1 1/2)	25.40 (1)	2.23 (1/2)	11.11 (0.437)	28.9 (1.138)	31.2 (1.228)	36.2 (1.425)	4.8 (0.187)	13.07 (0.515)		Cotter pin
RS 140	44.45 (1 3/4)	25.40 (1)	25.40 (1)	12.71 (0.500)	31.7 (1.248)	36.4 (1.433)	42.2 (1.661)	5.6 (0.220)	14.67 (0.578)		Cotter pin
RS 160	50.80 (2)	31.75 (1 1/4)	28.58 (1 1/4)	14.29 (0.562)	36.85 (1.450)	41.6 (1.637)	48.2 (1.897)	6.4 (0.251)	17.90 (0.704)		Cotter pin

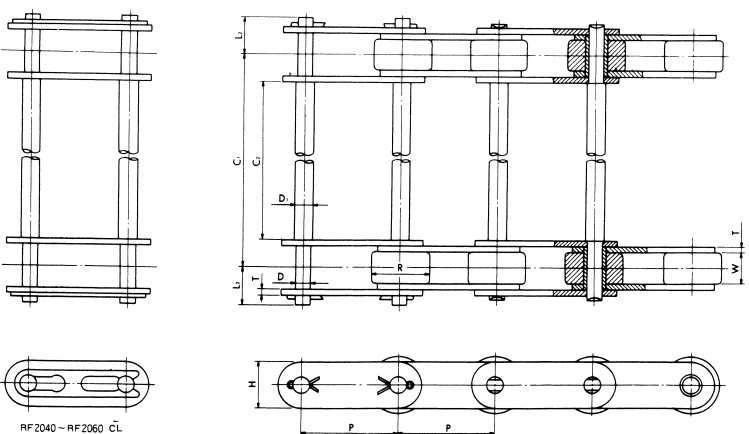
Note: Spring clip type or cottered type pins are produced according to the length of the stay pin. Please make the total width (C₁+2L₂) under 400 mm (15.75 inches). If pins are hardened at chain portion only (unhardened at stay pin portion) the chain can be produced for widths more than 400 mm (15.75 inches).
* Rollerless (bushing only)

RF Standard "S" Roller Type



RF 2040 ~ RF 2060 CL

RF Oversize "R" Roller Type



RF 2040 ~ RF 2060 CL

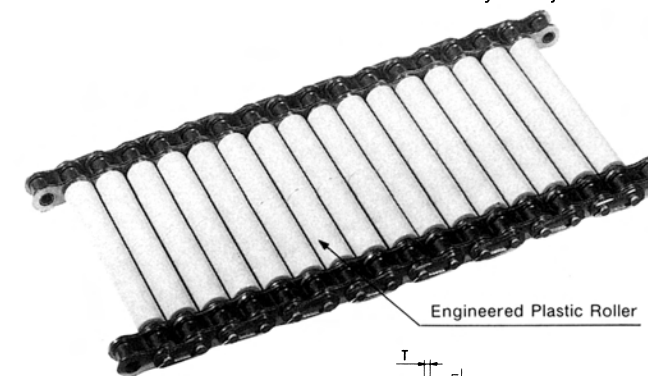
Upper dimensions . . . mm
Lower dimensions . . . inch

TSUBAKI Chain No.	Pitch P	Width Between Roller Link Plates W	Roller Diameter R		Pin			Link Plate		CL Type	
			"S" Roller	"R" Roller	D	D ₁	L ₂	C ₁ , C ₂	H		T
RF2040-S	RF2040-R	25.40 (1)	7.95 (5/16)	7.92 (5/16)	15.88 (5/8)	3.97 (0.156)	5.84 (0.230)	9.95 (0.391)	12.0 (0.472)	1.5 (0.059)	Spring clip
RF2050-S	RF2050-R	31.75 (1 1/4)	9.53 (3/4)	10.16 (3/8)	19.05 (3/4)	5.09 (0.200)	6.35 (0.250)	12.0 (0.472)	15.0 (0.590)	2.0 (0.078)	Spring clip
RF2060-S	RF2060-R	38.10 (1 1/2)	12.70 (1/2)	11.91 (1 5/32)	22.23 (7/8)	5.96 (0.234)	8.29 (0.326)	16.55 (0.651)	17.2 (0.677)	3.2 (0.125)	Spring clip
RF2080-S	RF2080-R	50.80 (2)	15.88 (5/8)	15.88 (5/8)	28.58 (1 1/8)	7.94 (0.312)	9.88 (0.389)	20.9 (0.822)	23.0 (0.905)	4.0 (0.157)	Designated by C ₁ or C ₂
RF2100-S	RF2100-R	63.50 (2 1/2)	19.05 (3/4)	19.05 (3/4)	39.69 (1 5/16)	9.54 (0.375)	11.46 (0.451)	24.9 (0.980)	28.6 (1.125)	4.8 (0.188)	
RF2120-S	RF2120-R	76.20 (3)	25.40 (1)	22.23 (7/8)	44.45 (1 3/4)	11.11 (0.437)	13.07 (0.515)	30.55 (1.202)	34.4 (1.354)	5.6 (0.220)	Cotter pin
RF2160-S	RF2160-R	101.60 (4)	31.75 (1 1/4)	28.58 (1 1/8)	57.15 (2 1/4)	14.29 (0.562)	17.9 (0.704)	38.45 (1.513)	48.2 (1.897)	7.15 (0.281)	Cotter pin

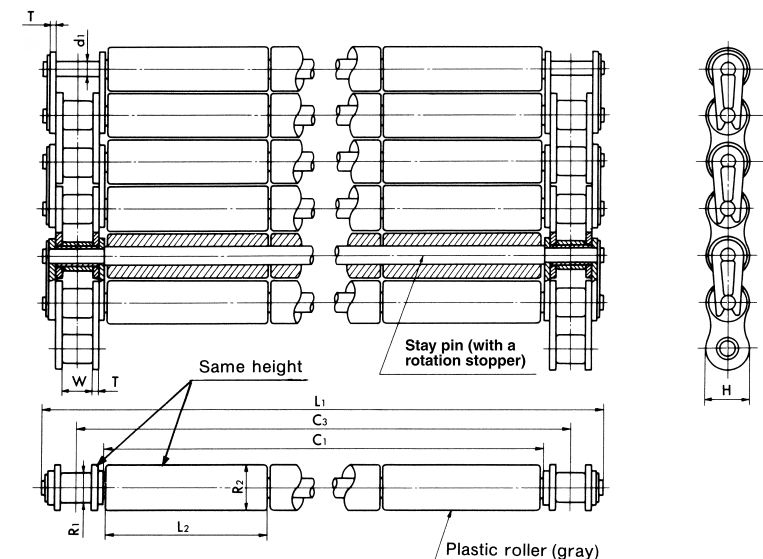
Note: Spring clip type or cottered type pins are produced according to the length of stay pin.
Please make the total width (C₁+2L₂) under 400 mm (15.75 inches). If pins are hardened at chain portion only (unhardened at stay pin portion) the chain can be produced for widths more than 400 mm (15.75 inches).

4.2 Roller Table (Chain type: RT)

Plastic rollers allow accumulation of the conveyed objects.



Engineered Plastic Roller



RT type has a wider plastic roller width than ST type, and it can be used for the transfer of wide objects such as pallets and cases.

Line pressure is notably reduced during accumulation because of the low roll-friction coefficient of the plastic rollers (roll-friction coefficient is between 0.06 and 0.10). This low roll-friction coefficient protects the conveyed object from damage and enables smooth divergence and confluence of the conveyed objects.

Both sides of chain: stainless steel

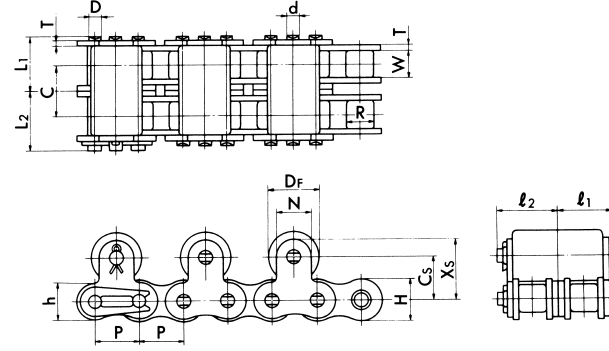
TSUBAKI Chain No.	Pitch P	Width Between Roller Link Plates W	Roller Diameter R ₁	Link Plate		Pin		Plastic Roller		Effective Width C ₁	Center Distance Between Two Chains C ₃	Maximum Allowable Conveying Load kgf/m ² (lbs/ft ²)	Approx. Weight kgf/m (lbs/ft)
				H	T	d ₁	L ₁	R ₂	L ₂				
RT 404SS							135.6 (5.339)			101.2 (3.984)	115.6 (4.551)		4.03 (2.71)
RT 408SS	12.70 (0.500)	7.95 (0.313)	7.94 (0.313)	11.1 (0.44)	1.5 (0.059)	3.92 (0.15)	235.6 (9.276)		12.2 (0.480)	201.2 (7.921)	215.6 (8.488)	200 (41)	6.76 (4.54)
RT 412SS							335.6 (13.213)			301.2 (11.858)	315.6 (12.425)		9.48 (6.37)
RT 416SS							435.6 (17.150)			401.2 (15.795)	415.6 (16.362)		12.21 (8.21)
RT 504SS							142.8 (5.622)			101.2 (3.984)	119.0 (4.685)		5.80 (3.90)
RT 508SS							242.8 (9.559)			201.2 (7.921)	219.0 (8.622)		9.48 (6.37)
RT 512SS	15.875 (0.625)	9.53 (0.375)	10.16 (0.400)	13.9 (0.55)	2.0 (0.079)	5.00 (0.200)	342.8 (13.496)		15.2 (0.598)	301.2 (11.858)	319.0 (12.559)	300 (61)	13.17 (8.85)
RT 516SS							442.8 (17.433)			401.2 (15.795)	419.0 (16.496)		16.89 (11.35)
RT 520SS							542.8 (21.370)			501.2 (19.732)	519.0 (20.433)		20.54 (13.80)
RT 524SS							642.8 (25.307)			601.2 (23.669)	619.0 (24.370)		24.23 (16.28)
RT 604SS							153.6 (6.047)			101.2 (3.984)	124.0 (4.882)		6.73 (4.52)
RT 608SS							253.6 (9.984)			201.2 (7.921)	224.0 (8.819)		10.38 (6.98)
RT 612SS	19.05 (0.750)	12.70 (0.500)	11.91 (0.469)	16.8 (0.66)	2.4 (0.094)	5.96 (0.235)	353.6 (13.921)		18.3 (0.720)	301.2 (11.858)	324.0 (12.756)	300 (61)	14.03 (9.43)
RT 616SS							453.6 (17.858)			401.2 (15.795)	424.0 (16.693)		17.68 (11.88)
RT 620SS							553.6 (21.795)			501.2 (19.732)	524.0 (20.630)		21.32 (14.33)
RT 624SS							653.6 (25.732)			601.2 (23.669)	624.0 (24.567)		24.97 (16.78)

Note: 1) The allowable load depends on the length and width of the roller table.
2) Please refer to the "TSUBAKI ENGINEERED PLASTIC CHAINS" catalog (catalog No. 1421) for more details on selection.

1. Convey Material with Storing

5.1 Double Strands of Top Roller (Chain type: TR)

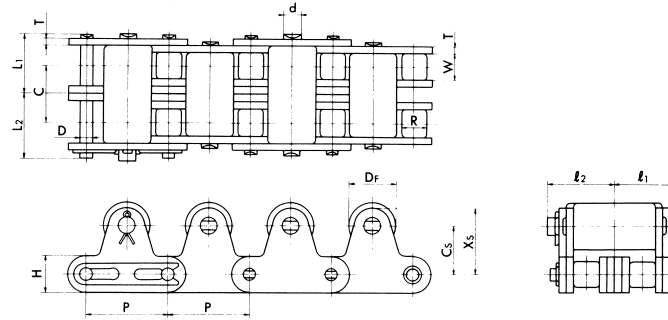
Supporting material with top roller. Also suitable as a continuous movement chain for conveying and storing with stopping ability.



Upper dimensions . . . mm
Lower dimensions . . . inch

TSUBAKI Chain No.	Pitch P	Width Between Roller Link Plates W	Roller Diameter R	Transverses Pitch C	Pin			Link Plate			Attachment						
					D	L ₁	L ₂	h	H	T	D _F	C _s	X _s	N	∅ ₁	∅ ₂	d ₁
RS 40-2	12.70 (1/2)	7.95 (5/16)	7.92 (5/16)	14.4 (0.566)	3.97 (0.156)	15.45 (0.608)	17.15 (0.675)	10.4 (0.409)	12.0 (0.472)	1.5 (0.050)	15.88 (0.625)	12.7 (0.500)	17.45 (0.687)	9.5 (0.374)	15.45 (0.608)	16.95 (0.667)	3.97 (0.156)
RS 50-2	15.875 (5/8)	9.53 (3/8)	10.16 (3/8)	18.1 (0.712)	5.09 (0.200)	19.35 (0.761)	21.15 (0.832)	13.0 (0.511)	15.0 (0.590)	2.0 (0.078)	19.05 (0.750)	15.9 (0.625)	22.25 (0.875)	12.7 (0.500)	19.35 (0.761)	21.15 (0.832)	5.09 (0.200)
RS 60-2	19.05 (3/4)	12.70 (1/2)	11.91 (15/32)	22.8 (0.897)	5.96 (0.234)	24.25 (0.954)	26.75 (1.053)	15.6 (0.614)	18.1 (0.712)	2.4 (0.094)	22.23 (0.875)	18.3 (0.720)	26.25 (1.033)	15.9 (0.625)	24.25 (0.954)	26.75 (1.053)	5.96 (0.234)
RS 80-2	25.40 (1)	15.88 (5/8)	15.88 (5/8)	29.3 (1.153)	7.94 (0.312)	30.9 (1.216)	33.9 (1.334)	20.8 (0.818)	24.1 (0.948)	3.2 (0.125)	28.58 (1.125)	24.6 (0.968)	34.15 (1.344)	19.1 (0.751)	30.9 (1.216)	33.9 (1.334)	7.94 (0.312)
RS 100-2	31.75 (1 1/4)	19.05 (3/4)	19.05 (3/4)	35.8 (1.409)	9.54 (0.375)	37.7 (1.484)	40.8 (1.606)	26.0 (1.023)	30.1 (1.185)	4.0 (0.157)	39.69 (1.562)	31.8 (1.251)	44.50 (1.751)	25.4 (1.000)	37.7 (1.484)	40.8 (1.606)	9.73 (0.383)

Note: Spring clip type connecting links will be provided for RS40-2 ~ RS60-2.
The dimension of "DF" will be varied, if top roller spacing is every pitch.



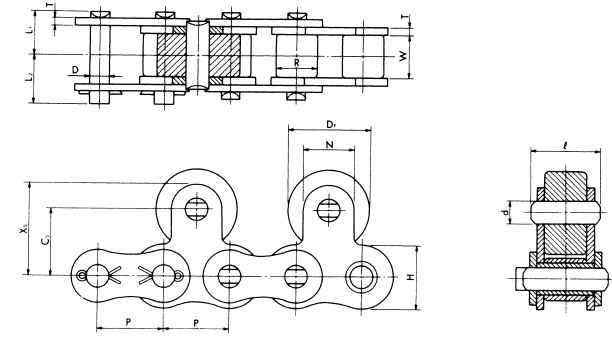
Upper dimensions . . . mm
Lower dimensions . . . inch

TSUBAKI Chain No.	Pitch P	Width Between Roller Link Plates W	Transverses Pitch C	Roller Diameter R		Pin			Link Plate			Attachment					
				"S" Roller	"R" Roller	D	L ₁	L ₂	H	T	D _F	C _s	X _s	∅ ₁	∅ ₂	d	
RF 2040-2	25.40 (1)	7.95 (5/16)	14.4 (0.566)	7.92 (5/16)	15.88 (5/8)	3.97 (0.156)	15.45 (0.608)	17.15 (0.675)	12.0 (0.472)	1.5 (0.059)	15.88 (0.625)	15.0 (0.590)	21.0 (0.826)	15.65 (0.616)	17.25 (0.679)	3.97 (0.156)	
RF 2050-2	31.75 (1 1/4)	9.53 (3/8)	18.1 (0.712)	10.16 (3/8)	19.05 (3/4)	5.09 (0.200)	19.35 (0.761)	21.15 (0.832)	15.0 (0.590)	2.0 (0.078)	19.05 (0.750)	19.0 (0.748)	26.5 (1.043)	19.55 (0.769)	21.95 (0.864)	5.09 (0.200)	
RF 2060-2	38.10 (1 1/2)	12.70 (1/2)	26.2 (1.031)	11.91 (15/32)	22.23 (7/8)	5.96 (0.234)	27.7 (1.09)	29.60 (1.17)	17.2 (0.677)	3.2 (0.125)	22.23 (0.875)	23.0 (0.905)	31.6 (1.244)	27.85 (1.096)	30.85 (1.214)	5.96 (0.234)	
RF 2080-2	50.80 (2)	15.88 (5/8)	32.6 (1.283)	15.88 (5/8)	28.58 (1 1/8)	7.94 (0.312)	34.6 (1.362)	37.3 (1.468)	23.0 (0.905)	4.0 (0.157)	28.58 (1.125)	29.0 (1.141)	40.5 (1.594)	34.80 (1.37)	37.50 (1.48)	11.32 (0.446)	
RF 2100-2	63.50 (2 1/2)	19.05 (3/4)	39.1 (1.539)	19.05 (3/4)	39.69 (1 5/16)	9.54 (0.375)	41.35 (1.627)	44.05 (1.734)	28.6 (1.125)	4.8 (0.188)	39.69 (1.562)	35.4 (1.393)	49.7 (1.956)	41.65 (1.639)	46.75 (1.840)	14.52 (0.571)	

Note: Spring clip type connecting links will be provided for RF2040 ~ RF2060.

5.2 Plastic Top Roller (Chain type: PT)

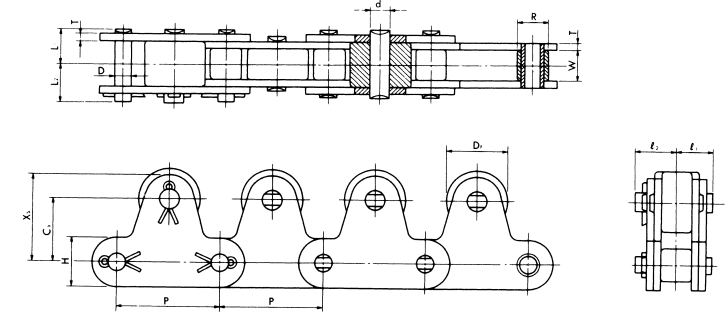
Top roller is made of plastic for smooth, quiet and no-damage conveying.



Upper dimensions . . . mm
Lower dimensions . . . inch

TSUBAKI Chain No.	Pitch P	Width Between Roller Link Plates W	Roller Diameter R	Pin			Link Plate		Attachment						
				D	L ₁	L ₂	H	T	D _F	C _s	N	X _s	∅	d	
RS 40	12.70 (1/2)	7.95 (5/16)	7.92 (5/16)	3.97 (0.156)	8.25 (0.324)	9.95 (0.391)	12.0 (0.472)	1.5 (0.059)	15.88 (0.625)	12.7 (0.500)	9.5 (0.374)	17.45 (0.687)	13.2 (0.519)	3.97 (0.156)	
RS 50	15.875 (5/8)	9.53 (3/8)	10.16 (3/8)	5.09 (0.200)	10.3 (0.405)	12.0 (0.472)	15.0 (0.590)	2.0 (0.078)	19.05 (0.750)	15.9 (0.625)	12.7 (0.500)	22.25 (0.875)	16.2 (0.637)	5.09 (0.200)	
RS 60	19.05 (3/4)	12.70 (1/2)	11.91 (15/32)	5.96 (0.234)	12.85 (0.505)	14.75 (0.580)	18.1 (0.712)	2.4 (0.094)	22.23 (0.875)	18.3 (0.720)	15.9 (0.625)	26.25 (1.033)	20.6 (0.811)	5.96 (0.234)	
RS 80	25.40 (1)	15.88 (5/8)	15.88 (5/8)	7.94 (0.312)	16.25 (0.639)	19.25 (0.757)	24.1 (0.948)	3.2 (0.125)	28.58 (1.125)	24.6 (0.968)	19.1 (0.751)	34.15 (1.344)	25.7 (1.011)	7.94 (0.312)	
RS 100	31.75 (1 1/4)	19.05 (3/4)	19.05 (3/4)	9.54 (0.375)	19.75 (0.777)	22.85 (0.899)	30.1 (1.185)	4.0 (0.157)	39.69 (1.562)	31.8 (1.251)	25.4 (1.000)	44.50 (1.751)	31.0 (1.220)	9.54 (0.376)	

Note: Spring clip type connecting links will be provided for RS40-2 ~ RS60-2.
The dimension of "DF" will be varied, if top roller spacing is every pitch.



Upper dimensions . . . mm
Lower dimensions . . . inch

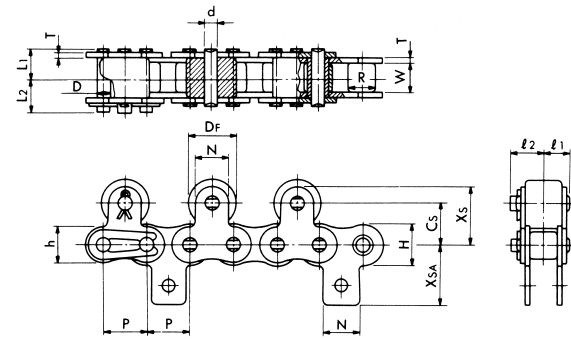
TSUBAKI Chain No.	Pitch P	Width Between Roller Link Plates W	Roller Diameter R	Pin			Link Plate		Attachment							
				"S" Roller	"R" Roller	D	L ₁	L ₂	H	T	D _F	C _s	X _s	∅ ₁	∅ ₂	d
RF 2040-S	RF 2040-R	25.40 (1)	7.95 (5/16)	7.92 (5/16)	15.88 (5/8)	3.97 (0.156)	8.25 (0.324)	9.95 (0.391)	12.0 (0.472)	1.5 (0.059)	15.88 (0.625)	15.0 (0.590)	21.0 (0.826)	8.25 (0.325)	9.65 (0.380)	3.97 (0.156)
RF 2050-S	RF 2050-R	31.75 (1 1/4)	9.53 (3/8)	10.16 (3/8)	19.05 (3/4)	5.09 (0.200)	10.3 (0.405)	12.0 (0.472)	15.0 (0.590)	2.0 (0.078)	19.05 (0.750)	19.0 (0.748)	26.5 (1.043)	10.30 (0.406)	11.90 (0.469)	5.09 (0.200)
RF 2060-S	RF 2060-R	38.10 (1 1/2)	12.70 (1/2)	11.91 (15/32)	22.23 (7/8)	5.96 (0.234)	14.55 (0.572)	16.55 (0.651)	17.2 (0.677)	3.2 (0.125)	22.23 (0.875)	23.0 (0.905)	31.6 (1.244)	14.55 (0.573)	16.95 (0.667)	5.96 (0.235)
RF 2080-S	RF 2080-R	50.80 (2)	15.88 (5/8)	15.88 (5/8)	28.58 (1 1/8)	7.94 (0.312)	18.3 (0.720)	20.9 (0.822)	23.0 (0.905)	4.0 (0.157)	28.58 (1.125)	29.0 (1.141)	40.5 (1.594)	18.5 (0.728)	21.30 (0.839)	11.32 (0.446)
RF 2100-S	RF 2100-R	63.50 (2 1/2)	19.05 (3/4)	19.05 (3/4)	39.69 (1 5/16)	9.54 (0.375)	21.8 (0.858)	24.5 (0.964)	28.6 (1.125)	4.8 (0.188)	39.69 (1.562)	35.4 (1.393)	49.7 (1.956)	22.1 (0.870)	27.2 (1.070)	14.52 (0.571)

Note: Spring clip type connecting links will be provided for RF2040-S(R) ~ RF2060-S(R).

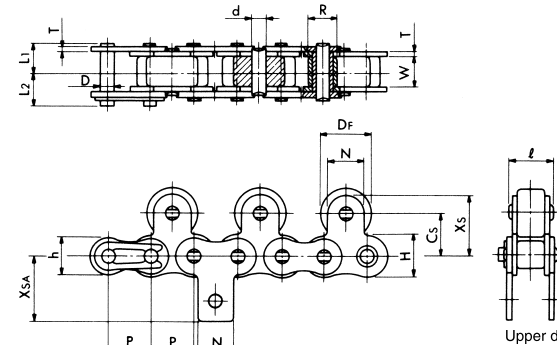
5.3 Top Roller and Attachment to Prevent Falling (Chain type: TG)

This chain has a guide attachment to prevent falling or meandering of the chain.

Top Roller: PL



Top Roller: RL



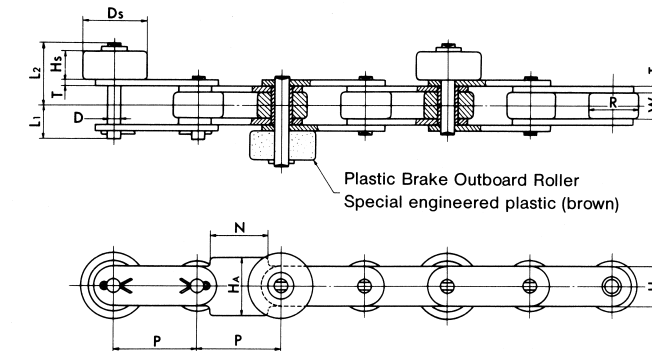
Upper dimensions . . . mm
Lower dimensions . . . inch

TSUBAKI Chain No.	Pitch P	Width Between Roller Link Plates W	Roller Diameter R	Pin			Link Plate			Attachment									CL Type
				D	L ₁	L ₂	h	H	T	D _f	C _s	N	X _s	ℓ ₁	ℓ ₂	ℓ	d	X _{sa}	
RS 40	12.70 (1/2)	7.95 (5/16)	7.92 (5/16)	3.97 (0.156)	8.25 (0.324)	9.95 (0.391)	10.4 (0.472)	12.0 (0.511)	1.5 (0.059)	15.88 (0.625)	12.7 (0.500)	9.5 (0.374)	17.45 (0.687)	8.25 (0.324)	9.65 (0.379)	13.2 (0.519)	3.97 (0.156)	17.4 (0.685)	Spring clip
RS 50	15.875 (5/8)	9.53 (3/8)	10.16 (0.4)	5.09 (0.200)	10.3 (0.405)	12.0 (0.472)	13.0 (0.511)	15.0 (0.590)	2.0 (0.078)	19.05 (0.750)	15.9 (0.625)	12.7 (0.500)	22.25 (0.875)	10.3 (0.405)	11.9 (0.468)	16.2 (0.637)	5.09 (0.200)	23.05 (0.907)	Spring clip
RS 60	19.05 (3/4)	12.70 (1/2)	11.91 (15/32)	5.96 (0.234)	12.85 (0.505)	14.75 (0.580)	15.6 (0.614)	18.1 (0.712)	2.4 (0.094)	22.23 (0.875)	18.3 (0.720)	15.9 (0.625)	26.25 (1.033)	12.85 (0.505)	15.25 (0.600)	20.6 (0.811)	5.96 (0.234)	26.85 (1.057)	Spring clip
RS 80	25.40 (1)	15.88 (5/8)	15.88 (5/8)	7.94 (0.312)	16.25 (0.639)	19.25 (0.757)	20.8 (0.818)	24.1 (0.948)	3.2 (0.125)	28.58 (1.125)	24.6 (0.968)	19.1 (0.751)	34.15 (1.344)	16.25 (0.639)	19.25 (0.757)	25.7 (1.011)	7.94 (0.312)	35.45 (1.395)	Cutter pin
RS100	31.75 (1 1/4)	19.05 (3/4)	19.05 (3/4)	9.54 (0.375)	19.75 (0.777)	22.85 (0.899)	26.0 (1.023)	30.1 (1.185)	4.0 (0.157)	39.69 (1.562)	31.8 (1.251)	25.4 (1.000)	44.50 (1.751)	19.75 (0.777)	22.85 (0.899)	31.0 (1.220)	9.73 (0.38)	44.0 (1.732)	Cutter pin

Note: Guide attachment spacing should be at every 4th pitch or more.

5.4 Plastic Outboard Roller and Attachment to Prevent Snaking (Chain type: SG)

Plastic outboard roller chain is used in the same way as top roller chain.



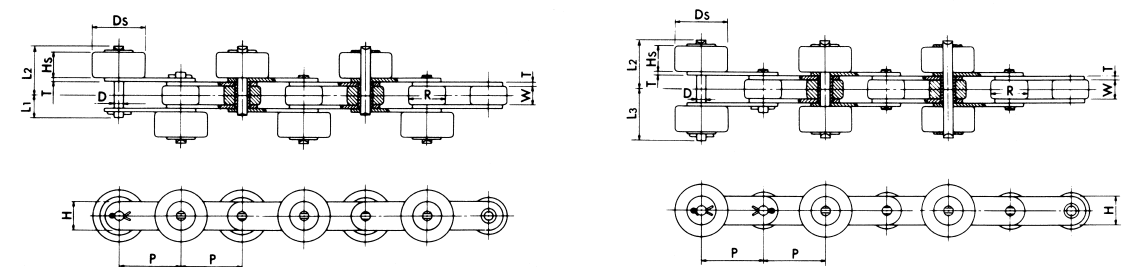
Upper dimensions . . . mm
Lower dimensions . . . inch

TSUBAKI Chain No.	Pitch P	Roller Diameter R	Width Between Roller Link Plates W	Link Plate			Pin			Outboard Roller		N	HA
				H	T	D	L ₁	L ₂	L ₃	D _s	H _s		
RF2040-R	25.40 (1)	15.88 (5/8)	7.95 (5/16)	12.0 (0.472)	1.5 (0.059)	3.97 (0.156)	9.65 (0.380)	24.05 (0.946)	24.5 (0.964)	23 (0.905)	13 (0.511)	16.5 (0.649)	19.0 (0.748)
RF2050-R	31.75 (1 1/4)	19.05 (3/4)	9.53 (3/8)	15.0 (0.590)	2.0 (0.078)	5.09 (0.200)	11.9 (0.468)	26.5 (1.043)	26.5 (1.043)	27 (1.062)	13 (0.511)	20.0 (0.787)	24.0 (0.944)
RF2060-R	38.10 (1 1/2)	22.23 (7/8)	12.70 (1/2)	17.2 (0.677)	3.2 (0.125)	5.96 (0.234)	16.95 (0.667)	31.55 (1.242)	31.55 (1.242)	30 (0.511)	13 (0.511)	25.4 (1.000)	27.0 (1.062)

Note: Please specify your required spacing for outboard rollers and attachments, when ordering.
For crosswise outboard roller installation, the plastic brake outboard rollers are spaced in pairs every sixth link.
This configuration is standard.

5.5 Plastic Outboard Roller and Plastic Oversize "R" Roller (Chain type: SP)

Roller is solid plastic. This chain provides light, quiet, and stable conveying with an easy return.



Upper dimensions . . . mm
Lower dimensions . . . inch

TSUBAKI Chain No.	Pitch P	Width Between Roller Link Plates W	Roller Diameter R		Pin			Link Plate			Attachment									CL Type
			"S" Roller	"R" Roller	D	L ₁	L ₂	H	T	D _f	C _s	X _s	ℓ ₁	ℓ ₂	ℓ	d	N	X _{sa}		
RF2040	25.40 (1)	7.95 (5/16)	7.92 (5/16)	15.88 (5/8)	3.97 (0.156)	8.25 (0.324)	9.95 (0.391)	12.0 (0.472)	1.5 (0.059)	15.88 (0.625)	15.0 (0.590)	21.0 (0.826)	8.45 (0.336)	10.05 (0.395)	13.6 (0.535)	3.97 (0.156)	19.1 (0.751)	12.7 (0.500)	Spring clip	
RF2050	31.75 (1 1/4)	9.53 (3/8)	10.16 (0.4)	19.05 (3/4)	5.09 (0.200)	10.3 (0.405)	12.0 (0.472)	15.0 (0.590)	2.0 (0.078)	19.05 (0.750)	19.0 (0.748)	26.5 (1.043)	10.5 (0.413)	12.9 (0.507)	16.6 (0.653)	5.09 (0.200)	23.8 (0.937)	15.9 (0.625)	Spring clip	
RF2060	38.10 (1 1/2)	12.70 (1/2)	11.91 (15/32)	22.23 (7/8)	5.96 (0.234)	14.55 (0.572)	16.55 (0.651)	17.2 (0.677)	3.2 (0.125)	22.23 (0.875)	23.0 (0.905)	31.6 (1.244)	14.75 (0.580)	17.75 (0.698)	22.6 (0.888)	5.96 (0.234)	28.6 (1.125)	19.1 (0.751)	Spring clip	
RF2080	50.80 (2.0)	15.88 (5/8)	15.88 (5/8)	28.58 (1 1/8)	7.94 (0.312)	18.3 (0.720)	20.9 (0.822)	23.0 (0.905)	4.0 (0.157)	28.58 (1.125)	29.0 (1.141)	40.5 (1.594)	18.15 (0.714)	21.3 (0.839)	28.5 (1.12)	11.32 (0.446)	38.1 (1.500)	25.4 (1.000)	Cutter pin	
RF2100	63.50 (2 1/2)	19.05 (3/4)	19.05 (3/4)	39.69 (1 9/16)	9.54 (0.375)	21.8 (0.858)	24.5 (0.964)	28.6 (1.125)	4.8 (0.188)	39.69 (1.562)	35.4 (1.393)	49.7 (1.956)	22.1 (0.870)	27.2 (1.070)	34.1 (1.342)	14.52 (0.571)	47.6 (1.874)	31.8 (1.251)	Cutter pin	

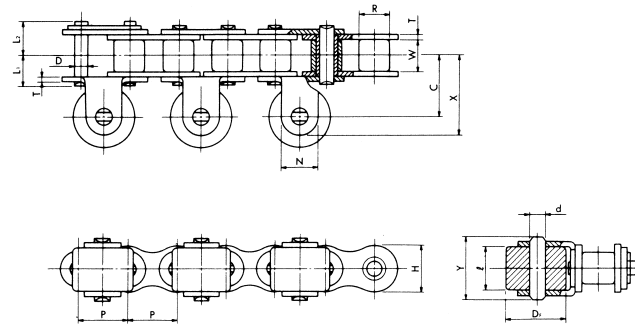
Note: Guide attachment spacing should be at every 4th pitch or more.

Note: 1. Please specify your required spacing for outboard rollers, when ordering.
2. Break outboard roller is also available upon request.

6. Chains for Curved Conveyor

6.1 Guide Roller (Chain type: GR)

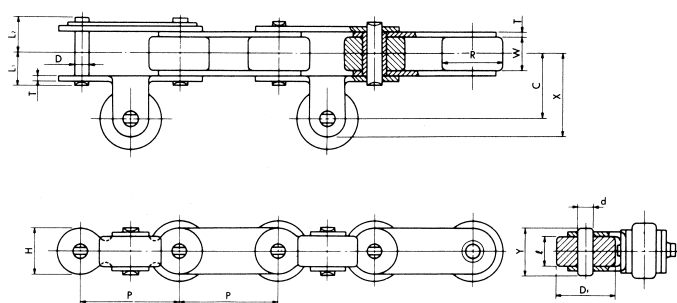
Guide roller prevents meandering and can be used as a running roller.



Upper dimensions. . . mm
Lower dimensions. . . inch

TSUBAKI Chain No.	Pitch P	Width Between Roller Link Plates W	Roller Diameter R	Pin			Link Plate		Attachment				Guide Roller		
				D	L ₁	L ₂	H	T	C	X	N	Y	d	D _F	θ
RS 40	12.70 (1/2)	7.95 (5/16)	7.92 (5/16)	3.97 (0.156)	8.25 (0.324)	9.95 (0.391)	12.0 (0.472)	1.5 (0.059)	17.45 (0.687)	22.2 (0.874)	9.5 (0.374)	16.5 (0.649)	3.97 (0.156)	15.88 (0.625)	11.05 (0.435)
RS 50	15.875 (5/8)	9.53 (3/8)	10.16 (0.4)	5.09 (0.200)	10.3 (0.405)	12.0 (0.472)	15.0 (0.590)	2.0 (0.078)	21.15 (0.832)	27.5 (1.082)	12.7 (0.500)	20.6 (0.811)	5.09 (0.200)	19.05 (0.750)	13.75 (0.541)
RS 60	19.05 (3/4)	12.70 (1/2)	11.91 (15/32)	5.96 (0.234)	12.85 (0.505)	14.75 (0.580)	18.1 (0.712)	2.4 (0.094)	25.4 (1.000)	33.35 (1.312)	15.9 (0.625)	25.7 (1.011)	5.96 (0.234)	22.23 (0.875)	17.65 (0.694)
RS 80	25.40 (1)	15.88 (5/8)	15.88 (5/8)	7.94 (0.312)	16.25 (0.639)	19.25 (0.757)	24.1 (0.948)	3.2 (0.125)	31.75 (1.250)	41.3 (1.625)	19.1 (0.751)	32.5 (1.279)	7.94 (0.312)	28.58 (1.125)	22.5 (0.885)
RS 100	31.75 (1 1/4)	19.05 (3/4)	19.05 (3/4)	9.54 (0.375)	19.75 (0.777)	22.85 (0.899)	30.1 (1.185)	4.0 (0.157)	41.3 (1.625)	54.0 (2.125)	25.4 (1.000)	39.5 (1.555)	9.73 (0.383)	39.69 (1.562)	27.4 (1.078)

Note: Spring clip type connecting links will be provided for RS40 ~ RS60.



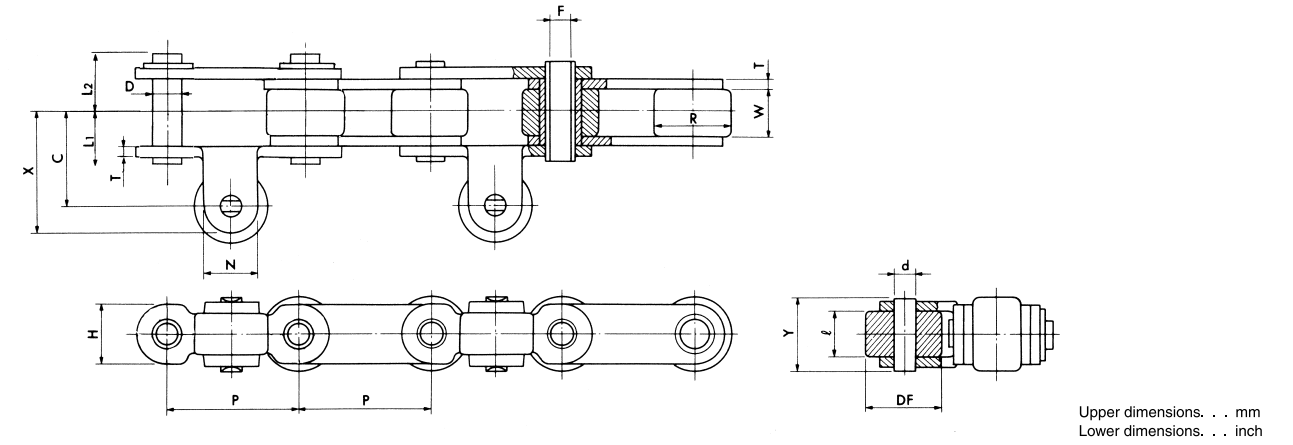
Upper dimensions. . . mm
Lower dimensions. . . inch

TSUBAKI Chain No.	Pitch P	Width Between Roller Link Plates W	Roller Diameter R		Pin			Link Plate		Attachment				Guide Roller		
			"S" Roller	"R" Roller	D	L ₁	L ₂	H	T	C	X	N	Y	d	D _F	θ
RF 2040	25.40 (1)	7.95 (5/16)	7.92 (5/16)	15.88 (5/8)	3.97 (0.156)	8.25 (0.324)	9.95 (0.391)	12.0 (0.472)	1.5 (0.059)	17.45 (0.687)	22.2 (0.874)	9.5 (0.374)	13.2 (0.519)	3.97 (0.156)	15.88 (0.625)	7.8 (0.307)
RF 2050	31.75 (1 1/4)	9.53 (3/8)	10.16 (0.4)	19.05 (3/4)	5.09 (0.200)	10.3 (0.405)	12.0 (0.472)	15.0 (0.590)	2.0 (0.078)	21.15 (0.832)	27.5 (1.082)	12.7 (0.500)	16.2 (0.637)	5.09 (0.200)	19.05 (0.750)	9.4 (0.370)
RF 2060	38.10 (1 1/2)	12.70 (1/2)	11.91 (15/32)	22.23 (7/8)	5.96 (0.234)	14.55 (0.572)	16.55 (0.651)	17.2 (0.677)	3.2 (0.125)	27.0 (1.062)	34.95 (1.375)	15.9 (0.625)	22.2 (0.874)	5.96 (0.234)	22.23 (0.875)	12.6 (0.496)
RF 2080	50.80 (2)	15.88 (5/8)	15.88 (5/8)	28.58 (1 1/8)	7.94 (0.312)	18.3 (0.720)	20.9 (0.822)	23.0 (0.905)	4.0 (0.157)	33.35 (1.312)	42.9 (1.688)	19.1 (0.751)	27.4 (1.078)	7.94 (0.312)	28.58 (1.125)	15.8 (0.622)
RF 2100	63.50 (2 1/2)	19.05 (3/4)	19.09 (3/4)	39.69 (1 9/16)	9.54 (3/8)	21.8 (0.858)	24.5 (0.964)	28.6 (1.125)	4.8 (0.188)	42.85 (1.687)	55.55 (2.187)	25.4 (1.000)	32.7 (1.287)	9.73 (0.383)	39.69 (1.562)	19.0 (0.748)

Note: Spring clip type connecting links will be provided for RF2040 ~ RF2060.

6.2 Hollow-Pin and Guide Roller (Chain type: HP-GR)

Fish tailing is prevented by using guide rollers and the hollow pins allow connection of many types of attachments (This is not curved chain)

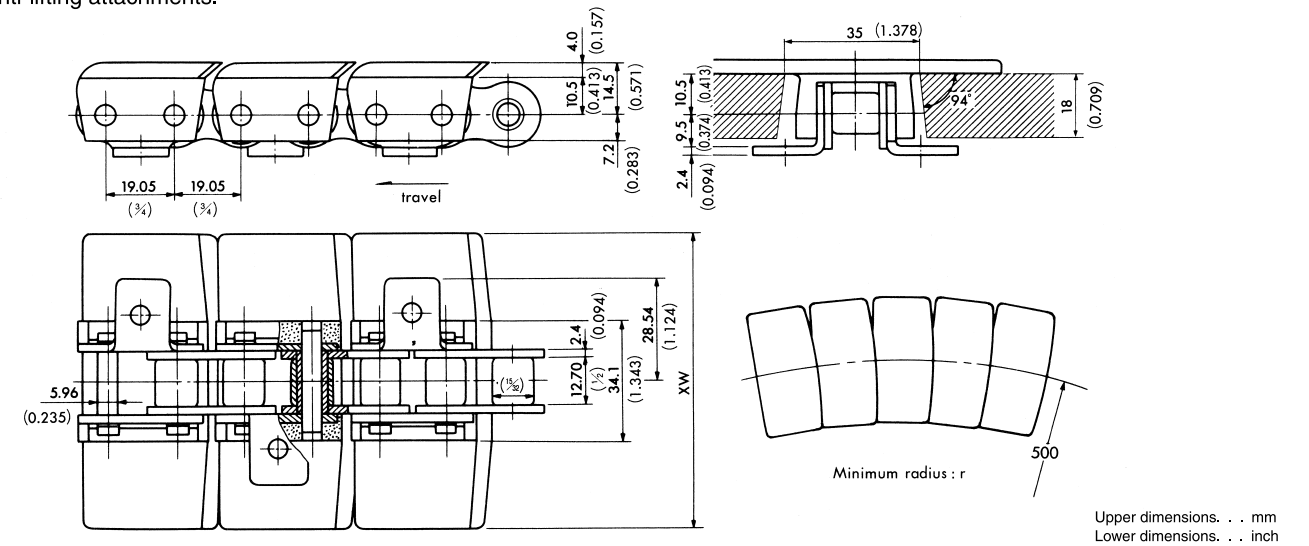


Upper dimensions. . . mm
Lower dimensions. . . inch

TSUBAKI Chain No.	Pitch P	Width Between Roller Link Plates W	Roller Diameter R	Pin			Link Plate		Attachment				Guide Roller			
				F	D	L ₁	L ₂	H	T	C	X	N	Y	d	D _F	θ
RF 2040	25.40 (1)	7.95 (5/16)	15.88 (5/8)	4.00 (0.157)	5.68 (0.224)	8.00 (0.315)	9.50 (0.374)	12.0 (0.472)	1.5 (0.060)	17.45 (0.687)	22.2 (0.874)	9.5 (0.374)	13.2 (0.519)	3.97 (0.156)	15.88 (0.625)	7.8 (0.307)
RF 2050	31.75 (1 1/4)	9.53 (3/8)	19.05 (3/4)	5.12 (0.202)	7.22 (0.284)	10.05 (0.396)	11.65 (0.459)	15.0 (0.500)	2.0 (0.080)	21.15 (0.833)	27.5 (1.083)	12.7 (0.500)	16.2 (0.637)	5.09 (0.200)	19.05 (0.750)	9.4 (0.370)
RF 2060	38.10 (1 1/2)	12.70 (1/2)	22.23 (7/8)	5.99 (0.236)	8.38 (0.330)	12.55 (0.494)	14.25 (0.561)	17.2 (0.677)	2.4 (0.094)	27.00 (1.063)	33.8 (1.331)	15.9 (0.625)	20.6 (0.811)	5.96 (0.235)	22.23 (0.875)	12.6 (0.496)
RF 2080	50.80 (2)	15.88 (5/8)	28.58 (1 1/8)	8.02 (0.316)	11.375 (0.448)	16.25 (0.640)	17.80 (0.701)	23.0 (0.905)	3.2 (0.125)	33.35 (1.313)	41.7 (1.642)	19.1 (0.751)	25.7 (1.011)	7.94 (0.313)	28.58 (1.125)	15.8 (0.622)

6.3 TNU Anti-Lifting Chain (Chain type: UA)

Chain lifting at the point of curvature can be reduced through the use of anti-lifting attachments.

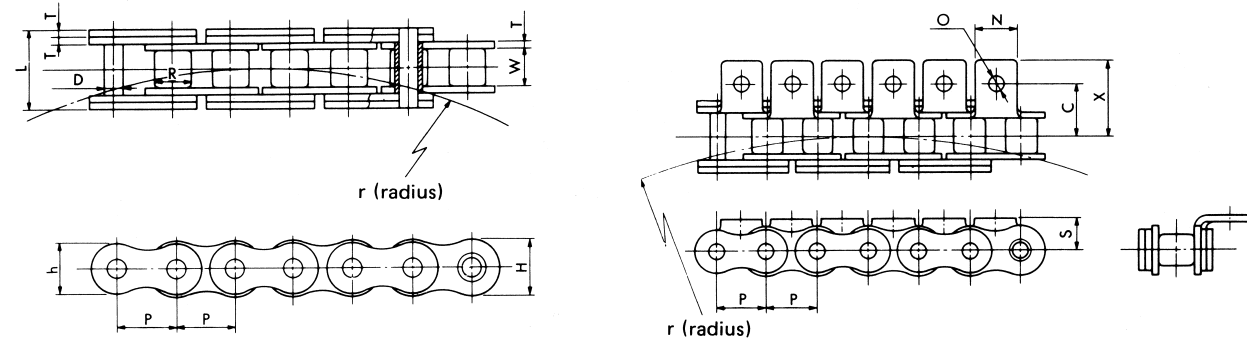


Upper dimensions. . . mm
Lower dimensions. . . inch

TSUBAKI Chain No.	xw	Chain type	Top plate type	Maximum Allowable Load kgf (lbs.)	Approx. Weight kg/m (lbs./ft.)
TNU 826	82.6 (3.252)	Steel (TNU-C)	LB, LG,	410	2.2 (1.57)
TNU 1143	114.3 (4.500)	Nickel Plated steel.	Standard	(902)	2.3 (1.64)
TNU 1270	127.0 (5.000)	(TNU-CNP)			2.5 (1.79)

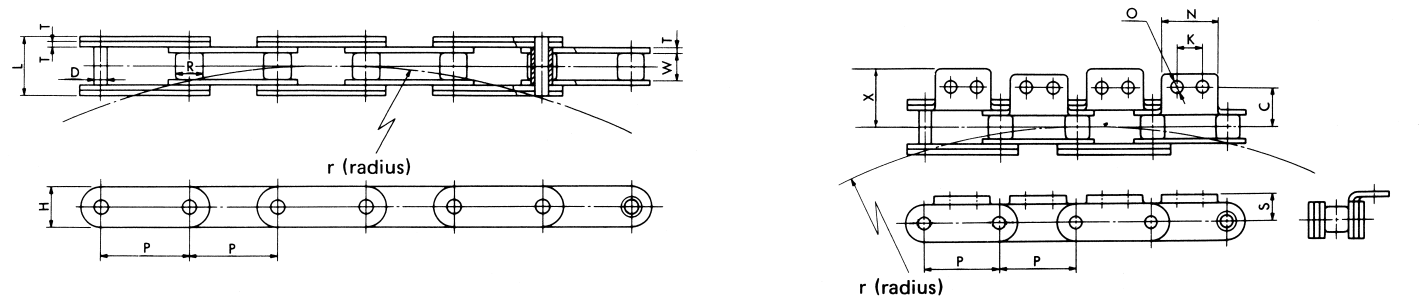
Note: TNU-LB/Anti-wear: Low friction specification (brown)
TNU-LG/Anti-wear: Low friction specification (light green)
TNU /Standard specification (grey)

6.4 Curved Chains with Attachment and Guide Plate (Chain type: GP)



Upper dimensions . . . mm
Lower dimensions . . . inch

TSUBAKI Chain No.	Pitch P	Width Between Roller Link Plates W	Roller Diameter R		Pin Diameter D	Link Plate			Width L	Attachment					Minimum Radius of Side Bow r
			"S" Roller	"R" Roller		H	T	C		N	O	S	X		
RS 40-CU	12.70 (1/2)	7.95 (5/16)	7.92 (5/16)	3.97 (0.156)	10.4 (0.409)	12.0 (0.472)	1.5 (0.059)	17.9 (0.704)	12.7 (0.500)	9.5 (0.374)	3.6 (0.141)	8.0 (0.314)	18.0 (0.708)	350 (13.779)	
RS 50-CU	15.875 (5/8)	9.53 (3/8)	10.16 (0.4)	5.09 (0.200)	13.0 (0.511)	15.0 (0.590)	2.0 (0.078)	22.75 (0.895)	15.9 (0.625)	12.7 (0.500)	5.2 (0.204)	10.3 (0.405)	23.65 (0.931)	400 (15.748)	
RS 60-CU	19.05 (3/4)	12.70 (1/2)	11.91 (1/2)	5.96 (0.234)	15.6 (0.614)	18.1 (0.712)	2.4 (0.094)	28.3 (1.114)	19.05 (0.750)	15.9 (0.625)	5.2 (0.204)	11.9 (0.468)	28.5 (1.122)	500 (19.685)	
RS 80-CU	25.40 (1)	15.88 (5/8)	15.88 (5/8)	7.94 (0.312)	20.8 (0.818)	24.1 (0.948)	3.2 (0.125)	36.7 (1.444)	25.4 (1.000)	19.1 (0.751)	6.8 (0.267)	15.9 (0.625)	37.1 (1.460)	600 (23.622)	

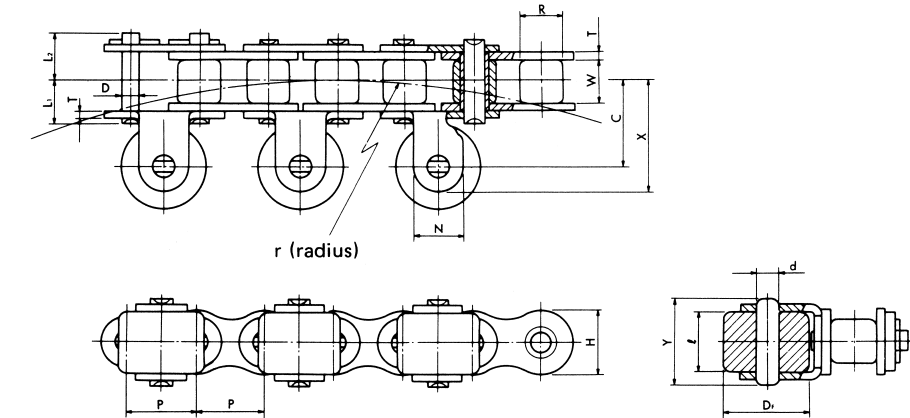


Upper dimensions . . . mm
Lower dimensions . . . inch

TSUBAKI Chain No.	Pitch P	Width Between Roller Link Plates W	Roller Diameter R		Pin Diameter D	Link Plate			Width L	Attachment					Minimum Radius of Side Bow r
			"S" Roller	"R" Roller		H	T	C		K	N	O	S	X	
RF 2040-CU	25.40 (1)	7.95 (5/16)	7.92 (5/16)	15.88 (5/8)	3.97 (0.156)	12.0 (0.472)	1.5 (0.059)	17.9 (0.704)	12.7 (0.500)	9.5 (0.374)	19.1 (0.751)	3.6 (0.141)	9.1 (0.358)	19.5 (0.767)	700 (27.559)
RF 2050-CU	31.75 (1 1/4)	9.53 (3/8)	10.16 (0.4)	19.05 (3/4)	5.09 (0.200)	15.0 (0.590)	2.0 (0.078)	22.75 (0.895)	15.9 (0.625)	11.9 (0.468)	23.8 (0.937)	5.2 (0.204)	11.1 (0.437)	24.45 (0.962)	800 (31.496)
RF 2060-CU	38.10 (1 1/2)	12.70 (1/2)	11.91 (1/2)	22.23 (7/8)	5.96 (0.234)	17.2 (0.677)	2.4 (0.094)	28.3 (1.114)	21.45 (0.844)	14.3 (0.562)	28.6 (1.125)	5.2 (0.204)	14.7 (0.578)	30.6 (1.204)	1000 (39.370)
RF 2080-CU	50.80 (2)	15.88 (5/8)	15.88 (5/8)	28.58 (1 1/8)	7.94 (0.312)	23.0 (0.905)	3.2 (0.125)	36.7 (1.444)	27.8 (1.094)	19.1 (0.751)	38.1 (1.500)	6.8 (0.267)	19.1 (0.751)	39.7 (1.562)	1200 (47.244)

Note: The dimensions, except for roller, are the same as both standard roller type ("S") and oversized roller type ("R").

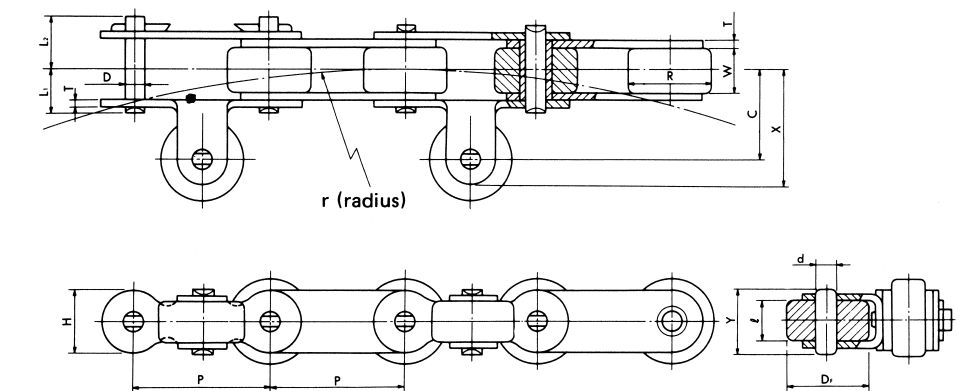
6.5 Curved Chains with Attachment and Guide (Chain type: GR)



Upper dimensions . . . mm
Lower dimensions . . . inch

TSUBAKI Chain No.	Pitch P	Width Between Roller Link Plates W	Roller Diameter R	Pin			Link Plate		Attachment					Guide Roller		Minimum Radius of Side Bow r
				D	L1	L2	H	T	C	X	N	Y	d	Df	l	
RS 40-CU	12.70 (1/2)	7.95 (5/16)	7.92 (5/16)	3.97 (0.156)	8.45 (0.332)	9.75 (0.383)	12.0 (0.472)	1.5 (0.059)	17.45 (0.687)	22.4 (0.881)	9.5 (0.374)	16.5 (0.649)	3.97 (0.156)	15.88 (0.625)	11.05 (0.435)	350 (13.779)
RS 50-CU	15.875 (5/8)	9.53 (3/8)	10.16 (0.4)	5.09 (0.200)	10.6 (0.417)	12.4 (0.488)	15.0 (0.590)	2.0 (0.078)	21.15 (0.832)	27.75 (1.092)	12.7 (0.500)	20.6 (0.811)	5.09 (0.200)	19.05 (0.750)	13.76 (0.541)	400 (15.748)
RS 60-CU	19.05 (3/4)	12.70 (1/2)	11.91 (1/2)	5.96 (0.234)	13.25 (0.521)	15.05 (0.592)	18.1 (0.712)	2.4 (0.094)	25.4 (1.000)	33.65 (1.324)	15.9 (0.625)	25.7 (1.011)	5.96 (0.234)	22.23 (0.875)	17.65 (0.694)	500 (19.685)
RS 80-CU	25.40 (1)	15.88 (5/8)	15.88 (5/8)	7.94 (0.312)	16.75 (0.659)	20.05 (0.789)	24.1 (0.948)	3.2 (0.125)	31.75 (1.250)	41.75 (1.643)	19.1 (0.751)	32.5 (1.279)	7.94 (0.312)	28.58 (1.125)	22.5 (0.885)	600 (23.622)

Note: Cottered type connecting links will be provided unless otherwise specified.



Upper dimensions . . . mm
Lower dimensions . . . inch

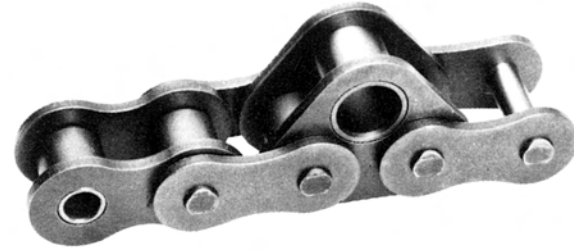
TSUBAKI Chain No.	Pitch P	Width Between Roller Link Plates W	Roller Diameter R		Link Plate			Pin					Attachment					Guide Roller		Minimum Radius of Side Bow r
			"S" Roller	"R" Roller	H	T	D	L1	L2	C	X	N	Y	d	Df	l				
RS 2040-CU	25.40 (1)	7.95 (5/16)	7.92 (5/16)	15.88 (5/8)	12.0 (0.472)	1.5 (0.059)	3.97 (0.156)	8.45 (0.332)	9.75 (0.383)	17.45 (0.687)	22.4 (0.881)	9.5 (0.374)	13.2 (0.519)	3.97 (0.156)	15.88 (0.625)	7.8 (0.307)	700 (27.559)			
RS 2050-CU	31.75 (1 1/4)	9.53 (3/8)	10.16 (0.4)	19.05 (3/4)	15.0 (0.590)	2.0 (0.078)	5.09 (0.200)	10.6 (0.417)	12.4 (0.488)	21.15 (0.832)	27.75 (1.092)	12.7 (0.500)	16.2 (0.637)	5.09 (0.200)	19.05 (0.750)	9.4 (0.370)	800 (31.496)			
RS 2060-CU	38.10 (1 1/2)	12.70 (1/2)	11.91 (1/2)	22.23 (7/8)	17.2 (0.677)	2.4 (0.094)	5.96 (0.234)	13.25 (0.521)	15.05 (0.592)	27.0 (1.062)	33.8 (1.330)	15.9 (0.625)	20.6 (0.811)	5.96 (0.234)	22.23 (0.875)	12.6 (0.496)	1000 (39.370)			
RS 2080-CU	50.80 (2)	15.88 (5/8)	15.88 (5/8)	28.58 (1 1/8)	23.0 (0.905)	3.2 (0.125)	7.94 (0.312)	16.75 (0.659)	20.05 (0.789)	33.35 (1.312)	42.2 (1.661)	19.1 (0.751)	25.7 (1.011)	7.94 (0.312)	28.58 (1.125)	15.8 (0.622)	1200 (47.244)			

Note: 1. Cottered type connecting links will be provided unless otherwise specified.
2. The dimensions, except for roller, are the same as both standard roller type ("S") and oversized roller type ("R").

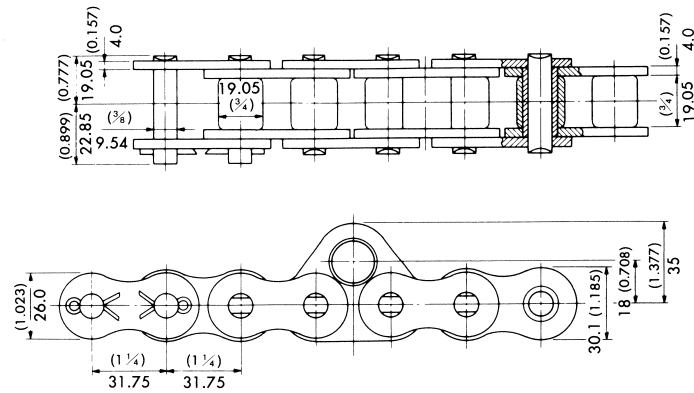
7. Support Rolling Material

7.1 Attachment with Bushing (Chain type: AB)

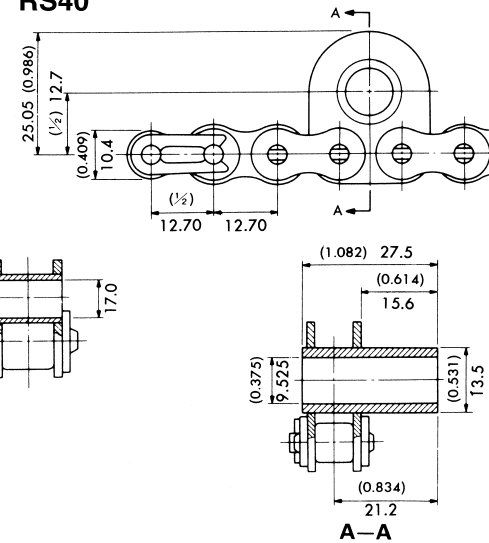
The press fitted bushing in this special attachment is ideal for bearings.



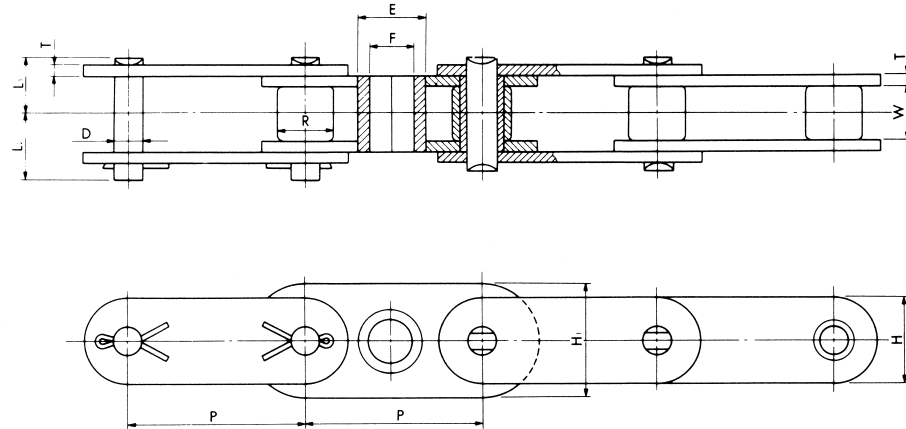
RS100



RS40



RF2100-S ~ RF2140-S



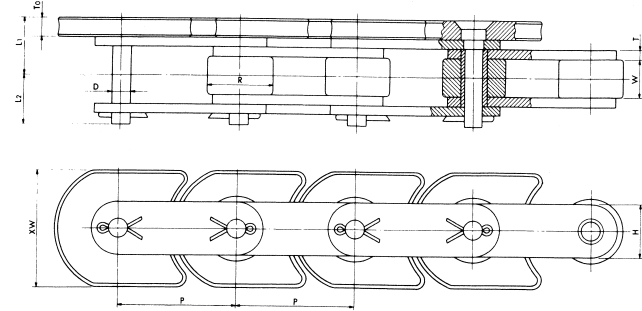
Upper dimensions . . . mm
Lower dimensions . . . inch

TSUBAKI Chain No.	Pitch P	Width Between Roller Link Plates W	Roller Diameter R	Pin			Bushing		Link Plate		
				D	L ₁	L ₂	F (MIN)	E	H	H ₁	T
RF 2100-S	63.50 (2 1/2)	19.05 (3/4)	19.05 (3/4)	9.54 (3/8)	21.8 (0.858)	24.5 (0.964)	10.5 (0.413)	14.4 (0.566)	28.6 (1.125)	28.6 (1.125)	4.8 (0.188)
RF 2120-S	76.20 (3)	25.40 (1)	22.23 (7/8)	11.11 (0.437)	26.95 (1.061)	30.55 (1.202)	25.8 (1.015)	34.0 (1.338)	34.4 (1.354)	46.0 (1.811)	5.6 (0.220)
RF 2140-S	88.90 (3 1/2)	25.40 (1)	25.40 (1)	12.71 (1/2)	26.9 (1.059)	31.7 (1.248)	25.8 (1.015)	34.0 (1.338)	41.8 (1.645)	58.0 (2.283)	5.6 (0.220)

8. Chain with Slats

8.1 RF Double Pitch Chains with Crescent Plate (Chain type: CL)

This chain is used to convey many types of containers or materials for the bottling and canning industries.

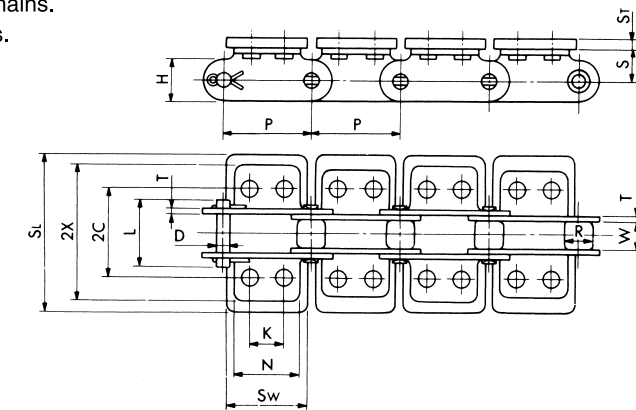


Upper dimensions . . . mm
Lower dimensions . . . inch

TSUBAKI Chain No.	Pitch P	Roller Diameter R	Width Between Roller Link Plates W	Pin			Link Plate		Top Plate		Average Tensile Strength kgf (lbs.)	Approx. Weight kgf/m (lbs./ft.)
				D	L ₁	L ₂	H	T	XW	T ₀		
RF 2050-R	31.75 (1 1/4)	19.05 (3/4)	9.53 (3/8)	5.09 (0.200)	15.05 (0.592)	11.9 (0.468)	15.0 (0.590)	2.0 (0.078)	32 (1.259)	6.0 (0.236)	2800 (6100)	2.7 (1.9)
RF 2060-R	38.10 (1 1/2)	22.23 (7/8)	12.70 (1/2)	5.96 (0.234)	19.5 (0.767)	16.95 (0.667)	17.2 (0.677)	3.2 (0.125)	38.1 (1.500)	6.35 (0.250)	4100 (9000)	4.0 (2.8)
RF 2080-R	50.80 (2)	28.58 (1 1/8)	15.88 (5/8)	7.94 (0.312)	24.2 (0.952)	21.1 (0.830)	23.0 (0.905)	4.0 (0.157)	50 (1.968)	8.0 (0.314)	7000 (15600)	6.5 (4.7)
RF 2100-R	63.50 (2 1/2)	39.69 (1 5/16)	19.05 (3/4)	9.54 (3/8)	25.9 (1.019)	24.3 (0.956)	28.6 (1.125)	4.8 (0.188)	63.5 (2.500)	6.35 (0.250)	11000 (24200)	9.4 (6.7)

8.2 RF Double Pitch Chains with Slats-Riveted Type (Chain type: SLT)

Slats are installed on tough RF double pitch chains. Excellent for conveying relatively heavy items.



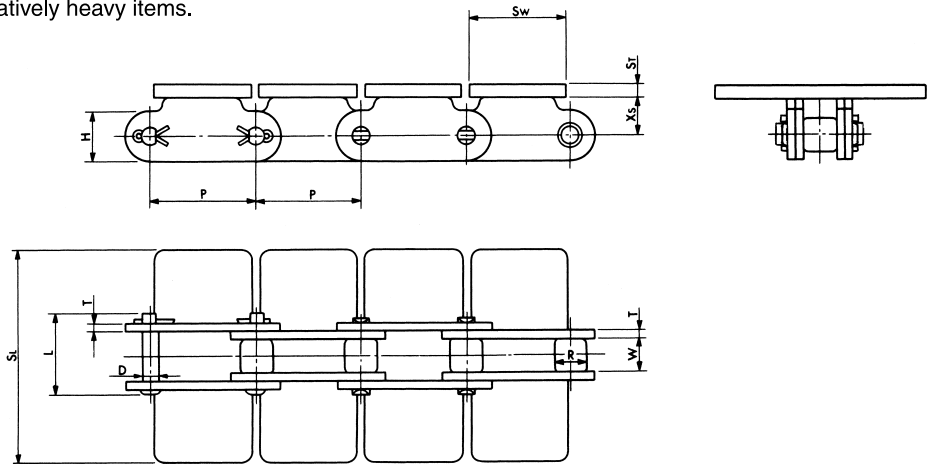
Upper dimensions . . . mm
Lower dimensions . . . inch

TSUBAKI Chain No.	Pitch P	Width Between Roller Link Plates W	Roller Diameter		Pin		Link Plate		Standard & NP	
			"S" Roller	"R" Roller	L	D	H	T	Average Tensile Strength kgf (lbs.)	Maximum Allowable Load kgf (lbs.)
RF 2040S RF 2040R	25.40 (1)	7.95 (0.313)	7.92 (0.312)	15.88 (0.625)	19.3 (0.760)	3.97 (0.156)	12.0 (0.472)	1.5 (0.059)	1,700 (3,700)	270 (600)
RF 2050S RF 2050R	31.75 (1 1/4)	9.53 (3/8)	10.16 (0.400)	19.05 (0.750)	23.8 (0.937)	5.09 (0.200)	15.0 (0.590)	2.0 (0.078)	2,800 (6,100)	440 (970)
RF 2060S RF 2060R	38.10 (1 1/2)	12.70 (1/2)	11.91 (0.469)	22.23 (0.875)	33.9 (1.335)	5.96 (0.235)	17.2 (0.677)	3.2 (0.126)	4,100 (9,000)	640 (1,400)
RF 2080S RF 2080R	50.80 (2)	15.88 (5/8)	15.88 (0.625)	28.58 (1.125)	41.8 (1.646)	7.94 (0.313)	23.0 (0.906)	4.0 (0.157)	7,000 (15,400)	1,090 (2,400)

TSUBAKI Chain No.	2C	2X	K	N	S	S _T	S _L	S _W	Approx. Weight kgf/m (lbs./ft.)	
									"S" Roller	"R" Roller
RF 2040S RF 2040R	25.4 (1)	38.6 (1.520)	9.5 (0.374)	19.1 (0.752)	9.1 (0.358)	3.2 (0.126)	50.8 (2)	24.0 (0.945)	1.93 (1.36)	2.29 (1.61)
RF 2050S RF 2050R	31.8 (1.252)	48.4 (1.906)	11.9 (0.469)	23.8 (0.937)	11.1 (0.437)	4.0 (0.157)	63.5 (2.5)	30.0 (1.181)	2.41 (1.70)	2.87 (2.02)
RF 2060S RF 2060R	42.9 (1.689)	63.0 (2.480)	14.3 (0.563)	28.6 (1.126)	14.7 (0.579)	4.8 (0.189)	76.2 (3)	36.0 (1.417)	4.72 (3.32)	5.40 (3.80)
RF 2080S RF 2080R	55.6 (2.189)	81.4 (3.205)	19.1 (0.752)	38.1 (1.500)	19.1 (0.752)	5.6 (0.220)	101.6 (4)	48.0 (0.256)	6.49 (4.57)	7.60 (5.35)

8.3 RF Double Pitch Chains with Slats-Welded Type (Chain type: SLW)

Slats are installed on RF double pitch chains
Excellent for conveying relatively heavy items.

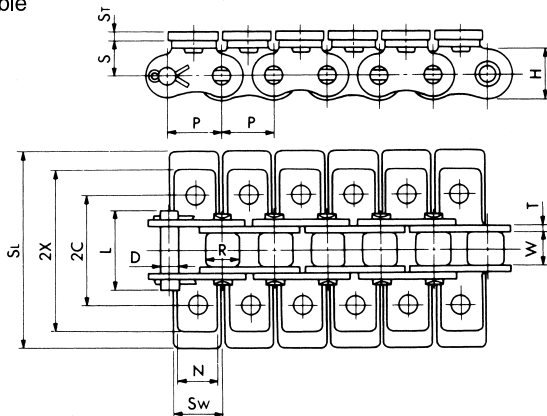


Upper dimensions . . . mm
Lower dimensions . . . inch

TSUBAKI Chain No.	Pitch P	Width Between Roller Link Plates W	Roller Diameter		Pin		Link Plate		St	SL	Sw	Xs	Average Tensile Strength kgf (lbs.)	Maximum Allowable Load kgf (lbs.)
			"S"Roller	"R"Roller	L	D	H	T						
RF 2060S-SLW RF 2060R-SLW	38.10 (1 1/2)	12.70 (1/2)	11.91 (15/32)	22.23 (7/8)	31.5 (1.240)	5.96 (0.235)	17.2 (0.677)	3.2 (0.125)	3.2 (0.125)	76.2 (3)	36.0 (1.417)	14.7 (0.579)	4100 (9,000)	640 (1,400)
RF 2080S-SLW RF 2080R-SLW	50.80 (2)	15.88 (5/8)	15.88 (5/8)	28.58 (1 1/8)	39.2 (1.543)	7.94 (0.313)	23.0 (0.906)	4.0 (0.157)	4.5 (0.177)	101.6 (4)	48.0 (1.890)	19.1 (0.752)	7000 (15,400)	1090 (2,400)

8.4 RS Roller Chains with Slats (Chain type: SLT)

This single pitch chain with a short internally set slat is suitable
for smooth conveying of small items.



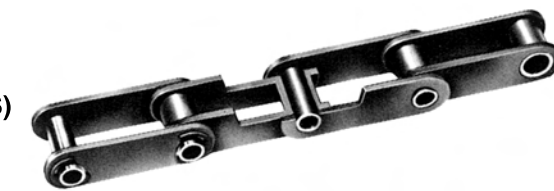
TSUBAKI Chain No.	Pitch P	Width Between Roller Link Plates W	Roller Diameter R	Pin		Link Plate		Standard & NP	
				D	L	H	T	Average Tensile Strength kgf (lbs.)	Maximum Allowable Load kgf (lbs.)
RS 40	12.70 (1/2)	7.95 (0.313)	7.92 (0.313)	3.97 (0.156)	19.3 (0.760)	12.0 (0.472)	1.5 (0.059)	1,700 (3,700)	270 (600)
RS 50	15.875 (0.625)	9.53 (0.375)	10.16 (0.400)	5.09 (0.200)	23.8 (0.937)	15.0 (0.591)	2.0 (0.079)	2,800 (6,100)	440 (970)
RS 60	19.05 (3/4)	12.70 (1/2)	11.91 (0.469)	5.96 (0.235)	30.5 (1.201)	18.1 (0.713)	2.4 (0.094)	4,100 (9,100)	640 (1,400)
RS 80	25.40 (1)	15.88 (0.625)	15.88 (0.625)	7.94 (0.313)	38.5 (1.516)	24.1 (0.949)	3.2 (0.126)	7,000 (15,400)	1,090 (2,400)

TSUBAKI Chain No.	2C	2X	N	S	St	SL	Sw
RS 40	25.4 (1)	35.6 (1.402)	9.5 (0.374)	8.0 (0.315)	3.2 (0.126)	50.8 (2)	12.0 (0.472)
RS 50	31.8 (1.252)	46.8 (1.843)	12.7 (1/2)	10.3 (0.406)	3.2 (0.126)	63.5 (2,500)	15.0 (0.591)
RS 60	38.1 (1.500)	56.4 (2.220)	15.9 (0.626)	11.9 (0.469)	4.0 (0.157)	76.2 (3)	18.0 (0.709)
RS 80	50.8 (2)	73.2 (2.882)	19.1 (0.752)	15.9 (0.626)	4.8 (0.189)	101.6 (4)	24.0 (0.945)

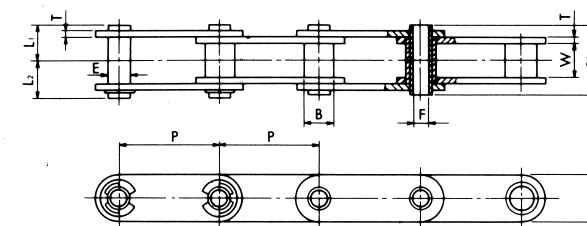
9. Special Atmosphere

9.1 Hollow-Pin Chains Made of 18-8 Stainless Steel Chain (Chain type: SS)

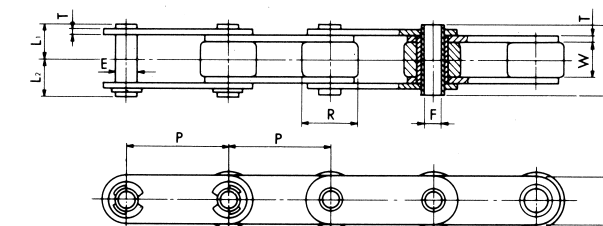
This versatile hollow pin chain is ideal for applications where chain
is exposed to corrosive conditions.



RF Standard "S" Roller Type, Bushed Type

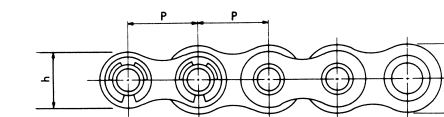
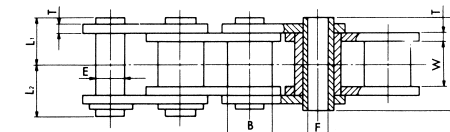


RF Oversize "R" Roller Type



Upper dimensions . . . mm
Lower dimensions . . . inch

TSUBAKI Chain No.	Pitch P	Width Between Bush Link Plates W	Bushings Diameter B	Roller Diameter R	Pin				Link Plate		Maximum Allowable Load kgf (lbs.)	Approx. Weight kgf/m (lbs./ft.)	
					E	F (min.)	L1	L2	H	T		"S"Roller	"R"Roller
RF 2040HP-SS-S RF 2040HP-SS-R	25.40 (1)	7.95 (5/16)	7.92 (5/16)	15.88 (5/8)	5.68 (0.223)	4.00 (0.157)	8.00 (0.314)	9.50 (0.374)	12.0 (0.472)	1.5 (0.059)	45 (99)	0.46 (0.33)	0.82 (0.59)
RF 2050HP-SS-S RF 2050HP-SS-R	31.75 (1 1/4)	9.53 (3/8)	10.16 (0.4)	19.05 (3/4)	7.22 (0.284)	5.12 (0.201)	10.05 (0.395)	11.65 (0.458)	15.0 (0.590)	2.0 (0.078)	70 (150)	0.75 (0.54)	1.21 (0.87)
RF 2060HP-SS-S RF 2060HP-SS-R	38.10 (1 1/2)	12.70 (1/2)	11.91 (15/32)	22.23 (7/8)	8.38 (0.329)	5.99 (0.235)	12.55 (0.494)	14.25 (0.561)	17.2 (0.677)	2.4 (0.094)	105 (230)	1.38 (0.99)	2.06 (1.40)

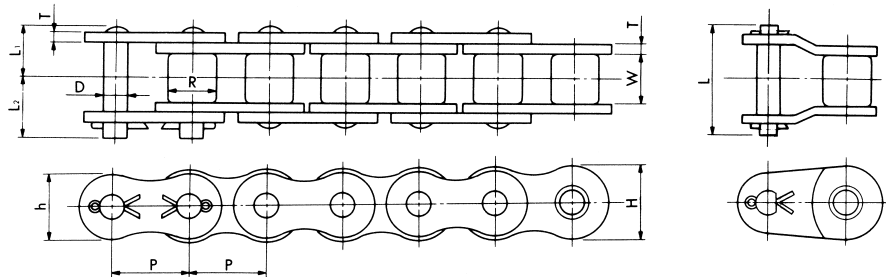


Upper dimensions . . . mm
Lower dimensions . . . inch

TSUBAKI Chain No.	Pitch P	Width Between Bush Link Plates W	Bushings Diameter B	Pin				Link Plate			Maximum Allowable Load kgf (lbs.)	Approx. Weight kgf/m (lbs./ft.)
				E	F (min.)	L1	L2	H	h	T		
RF 40HP-SS	12.70 (1/2)	7.95 (5/16)	7.92 (5/16)	5.68 (0.223)	4.00 (0.157)	8.00 (0.314)	9.50 (0.374)	12.0 (0.472)	10.4 (0.409)	1.5 (0.059)	45 (99)	0.53 (0.38)
RF 50HP-SS	15.875 (0.625)	9.53 (3/8)	10.16 (0.4)	7.22 (0.284)	5.12 (0.201)	10.05 (0.395)	11.65 (0.458)	15.0 (0.590)	13.0 (0.511)	2.0 (0.078)	70 (150)	0.86 (0.62)
RF 60HP-SS	19.05 (3/4)	12.70 (1/2)	11.91 (15/32)	8.38 (0.329)	5.99 (0.235)	12.55 (0.494)	14.25 (0.561)	18.1 (0.712)	15.6 (0.604)	2.4 (0.094)	105 (230)	1.27 (0.91)

9.2 Stainless Steel Chains Made of ANSI 316 (Chain type: NS)

ANSI 316 stainless steel series chain is excellent for corrosive atmospheres. Anti-magnetism and wear resistance properties are excellent.



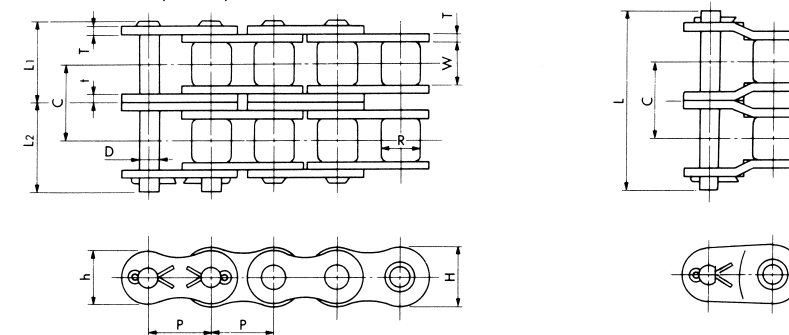
Upper dimensions . . . mm
Lower dimensions . . . inch

TSUBAKI Chain No.	Pitch P	Width Between Roller Link Plates W	Roller (Bushing) Diameter R	Pin				Link Plate			Maximum Allowable Load kgf (lbs.)	Approx. Weight kgf/m (lbs./ft.)
				D	L ₁	L ₂	Offset Pin L	h	H	T		
RS 25NS *	6.35 (¹ / ₄)	3.18 (⁵ / ₁₆)	3.30 (0.129)	2.31 (0.090)	3.8 (0.149)	4.8 (0.188)	7.6 (0.299)	5.05 (0.198)	5.85 (0.230)	0.75 (0.029)	12 (26)	0.14 (0.10)
RS 35NS *	9.525 (³ / ₈)	4.78 (³ / ₁₆)	5.08 (0.200)	3.59 (0.141)	5.85 (0.230)	7.15 (0.281)	14.7 (0.578)	7.8 (0.307)	9.0 (0.354)	1.25 (0.049)	27 (59)	0.33 (0.23)
RS 40NS	12.70 (¹ / ₂)	7.95 (⁵ / ₁₆)	7.92 (⁵ / ₁₆)	3.97 (0.156)	8.25 (0.324)	9.65 (0.379)	18.6 (0.732)	10.4 (0.409)	12.0 (0.472)	1.5 (0.059)	45 (99)	0.64 (0.46)
RS 50NS	15.875 (⁵ / ₈)	9.53 (³ / ₈)	10.16 (0.4)	5.09 (0.200)	10.3 (0.405)	11.9 (0.468)	23.9 (0.940)	13.0 (0.511)	15.0 (0.590)	2.0 (0.078)	70 (150)	1.04 (0.75)
RS 60NS	19.05 (³ / ₄)	12.70 (¹ / ₂)	11.91 (¹⁵ / ₃₂)	5.96 (0.234)	12.85 (0.505)	15.25 (0.600)	29.4 (1.156)	15.6 (0.614)	18.1 (0.712)	2.4 (0.094)	105 (230)	1.53 (1.10)
RS 80NS	25.40 (1)	15.88 (⁵ / ₈)	15.88 (⁵ / ₈)	7.94 (0.312)	16.25 (0.639)	19.45 (0.765)	39.0 (1.535)	20.8 (0.818)	24.1 (0.948)	3.2 (0.125)	180 (390)	2.66 (1.90)
RS 100NS	31.75 (1 1/4)	19.05 (³ / ₄)	19.05 (³ / ₄)	9.54 (0.375)	20.1 (0.791)	23.1 (0.909)	46.5 (1.830)	26.0 (1.023)	30.1 (1.185)	4.0 (0.157)	260 (570)	4.01 (2.80)

Note: 1. Only two-pitch offset links are available for RS25.
2. Cottered type connecting links will be provided, except for RS25NS, unless otherwise specified.
3. * Rollerless (bushing only).

9.3 Dual Strand Stainless Steel Roller Chain (Chain type: SS)

All parts are made of 300 series stainless steel. This anti-corrosive chain is used under special conditions such as in water, acid, alkali, high temperatures above 400°C (750°F), or low temperatures below -20°C (-4°F).

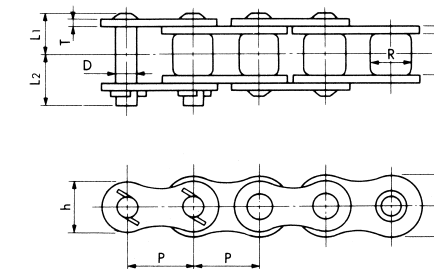


Upper dimensions . . . mm
Lower dimensions . . . inch

TSUBAKI Chain No.	Pitch P	Roller Diameter R	Width Between Roller Link Plates W	Transverse Pitch C	Link Plate				Pin				Maximum Allowable Load kgf (lbs.)	Approx. Weight kgf/m (lbs./ft.)	
					T	t	H	h	D	L ₁ +L ₂	L ₁	L ₂			L
RS 40-2SS	12.70 (¹ / ₂)	7.92 (⁵ / ₁₆)	7.95 (⁵ / ₁₆)	14.4 (0.567)	1.5 (0.059)	1.5 (0.059)	12.0 (0.472)	10.4 (0.409)	3.97 (0.156)	36.2 (1.425)	15.45 (0.608)	17.15 (0.675)	33.50 (1.319)	90 (195)	1.27 (0.89)
RS 50-2SS	15.875 (⁵ / ₈)	10.16 (0.4)	9.53 (0.375)	18.1 (0.713)	2.0 (0.079)	2.0 (0.079)	15.0 (0.591)	13.0 (0.512)	5.09 (0.200)	40.5 (1.594)	19.35 (0.762)	21.15 (0.833)	41.80 (1.646)	140 (307)	2.07 (1.46)
RS 60-2SS	19.05 (³ / ₄)	11.91 (¹⁵ / ₃₂)	12.70 (¹ / ₂)	22.8 (0.898)	2.4 (0.094)	2.4 (0.094)	18.1 (0.713)	15.6 (0.614)	5.96 (0.235)	50.5 (1.988)	24.25 (0.955)	26.25 (1.033)	52.60 (2.071)	210 (460)	3.04 (2.14)
RS 80-2SS	25.40 (1)	15.88 (⁵ / ₈)	15.88 (⁵ / ₈)	29.3 (1.154)	3.2 (0.126)	3.2 (0.126)	24.1 (0.949)	20.8 (0.819)	7.94 (0.313)	64.8 (2.551)	30.90 (1.217)	33.90 (1.335)	68.05 (2.679)	360 (789)	5.30 (3.73)
RS 100-2SS	31.75 (1 1/4)	19.05 (³ / ₄)	19.05 (³ / ₄)	35.8 (1.409)	4.0 (0.157)	4.0 (0.157)	30.1 (1.185)	26.0 (1.024)	9.54 (0.376)	78.5 (3.091)	37.70 (1.484)	40.80 (1.606)	81.60 (3.213)	520 (1140)	7.99 (5.62)
RS 120-2SS	38.10 (1 1/2)	22.23 (⁷ / ₈)	25.40 (1)	45.4 (1.787)	5.0 (0.197)	4.3 (0.169)	36.2 (1.425)	31.2 (1.228)	11.11 (0.437)	100.6 (3.961)	48.35 (1.904)	52.25 (2.057)	104.90 (4.130)	780 (1710)	12.22 (8.60)
RS 140-2SS	44.45 (1 3/4)	25.40 (1)	25.40 (1)	48.9 (1.925)	6.0 (0.236)	5.2 (0.205)	42.2 (1.661)	36.4 (1.433)	12.71 (0.5)	110.0 (4.331)	52.70 (2.075)	57.30 (2.256)	114.60 (4.512)	940 (2050)	15.77 (11.10)
RS 160-2SS	50.80 (2)	28.58 (1.125)	31.75 (1.250)	58.5 (2.303)	7.0 (0.276)	5.4 (0.213)	48.2 (1.898)	41.6 (1.638)	14.29 (0.563)	130.1 (5.122)	62.75 (2.470)	67.35 (2.652)	134.70 (5.303)	1300 (2850)	21.66 (15.24)

9.4 Titanium Chain (Chain type: T1)

With excellent anti-corrosive and heat resistant properties, and light weight, this chain is superior to stainless steel chain.



Upper dimensions . . . mm
Lower dimensions . . . inch

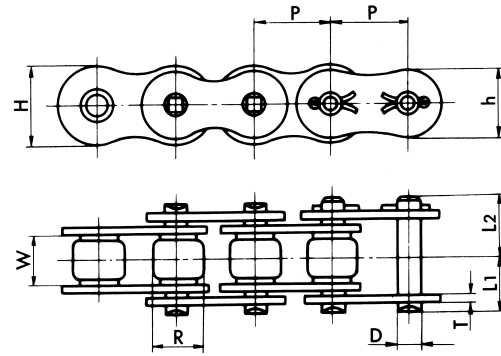
TSUBAKI Chain No.	Pitch P	Roller (Bushing) Diameter R	Width Between Roller Link Plates W	Link Plate				Pin				Maximum Allowable Load kgf (lbs.)	Approx. Weight kgf/m (lbs./ft.)
				T	H	h	D	L ₁ +L ₂	L ₁	L ₂	L		
RS 35T1 *	9.525 (³ / ₈)	5.08 (0.2)	4.78 (0.188)	1.25 (0.049)	9.0 (0.354)	7.8 (0.307)	3.59 (0.141)	13.2 (0.520)	6.05 (0.238)	7.15 (0.281)	15 (33)	0.19 (0.13)	
RS 40T1	12.70 (¹ / ₂)	7.92 (⁵ / ₁₆)	7.95 (⁵ / ₁₆)	1.5 (0.059)	12.0 (0.472)	10.4 (0.409)	3.97 (0.156)	18.35 (0.722)	8.25 (0.325)	10.10 (0.398)	15 (33)	0.37 (0.26)	
RS 50T1	15.875 (⁵ / ₈)	10.16 (0.4)	9.53 (³ / ₈)	2.0 (0.079)	15.0 (0.591)	13.0 (0.512)	5.09 (0.200)	22.2 (0.874)	10.3 (0.406)	11.90 (0.469)	15 (33)	0.60 (0.42)	
RS 60T1	19.05 (³ / ₄)	11.91 (¹⁵ / ₃₂)	12.70 (¹ / ₂)	2.4 (0.094)	18.1 (0.713)	15.6 (0.614)	5.96 (0.235)	28.1 (1.106)	12.85 (0.506)	15.25 (0.600)	15 (33)	0.88 (0.62)	

Note: ※ Rollerless (bushing only)

Note: Cottered type connecting links will be provided unless otherwise specified.

9.5 Low Temperature Specification (Chain type: KT)

This chain can be used in the temperature range $-40^{\circ}\text{C} \sim +60^{\circ}\text{C}$ ($-40^{\circ}\text{F} \sim +140^{\circ}\text{F}$)



TSUBAKI Chain No.	Pitch P	Width Between Roller Link Plates W	Roller Diameter R	Pin			Link Plate			Maximum Allowable Load kgf (lbs.)
				D	L ₁	L ₂	T	H	h	
RS 35 *	9.525 ($\frac{3}{8}$)	4.78 (0.188)	5.08 (0.2)	3.59 (0.141)	5.85 (0.230)	7.05 (0.278)	1.25 (0.050)	9.0 (0.354)	7.8 (0.307)	220 (484)
RS 40	12.70 ($\frac{1}{2}$)	7.95 ($\frac{5}{16}$)	7.92 ($\frac{5}{16}$)	3.97 (0.156)	8.25 (0.325)	9.65 (0.379)	1.5 (0.060)	12.0 (0.472)	10.4 (0.409)	370 (814)
RS 50	15.875 ($\frac{5}{8}$)	9.53 ($\frac{3}{8}$)	10.16 (0.4)	5.09 (0.200)	10.30 (0.406)	11.90 (0.469)	2.0 (0.080)	15.0 (0.600)	13.0 (0.512)	650 (1430)
RS 60	19.05 ($\frac{3}{4}$)	12.70 ($\frac{1}{2}$)	11.91 ($\frac{15}{32}$)	5.96 (0.235)	12.85 (0.506)	15.25 (0.600)	2.4 (0.094)	18.1 (0.713)	15.6 (0.614)	900 (1980)
RS 80	25.40 (1)	15.88 ($\frac{5}{8}$)	15.88 ($\frac{5}{8}$)	7.94 (0.313)	16.25 (0.639)	19.25 (0.758)	3.2 (0.125)	24.1 (0.949)	20.8 (0.819)	1500 (3300)
RS 100	31.75 (1 $\frac{1}{4}$)	19.05 ($\frac{3}{4}$)	19.05 ($\frac{3}{4}$)	9.54 (0.376)	19.75 (0.778)	22.85 (0.900)	4.0 (0.157)	30.1 (1.185)	26.0 (1.024)	2300 (5060)
RS 120	38.10 (1 $\frac{1}{2}$)	25.40 (1)	22.23 (0.875)	11.11 (0.437)	24.90 (0.980)	28.90 (1.138)	4.8 (0.188)	36.2 (1.425)	31.2 (1.228)	3100 (6820)
RS 160	50.80 (2)	31.75 (1 $\frac{1}{4}$)	28.58 (1.125)	14.29 (0.563)	31.85 (1.254)	36.85 (1.451)	6.4 (0.252)	48.2 (1.898)	41.6 (1.638)	5400 (11880)

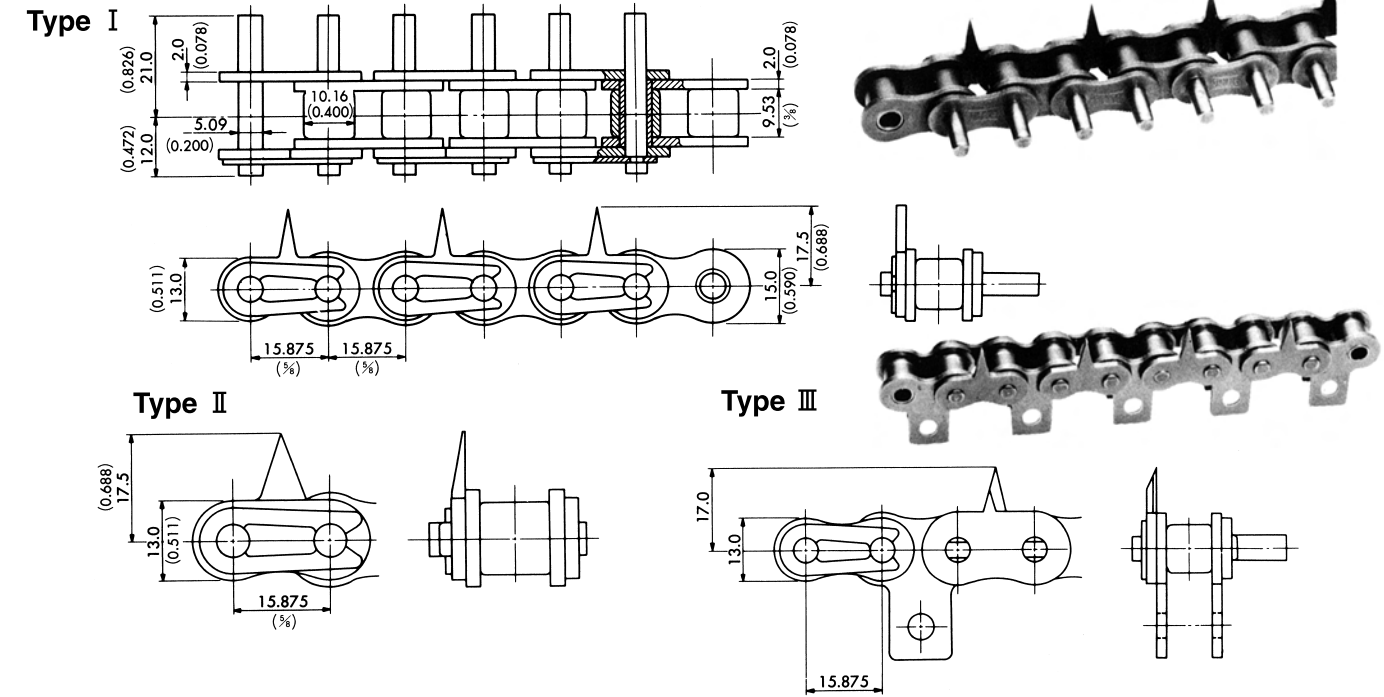
Note: 1. ※ Rollerless (bushing only)
2. The connecting link of RS35 is the clip type and the pins are riveted with double stakes.

Upper dimensions . . . mm
Lower dimensions . . . inch

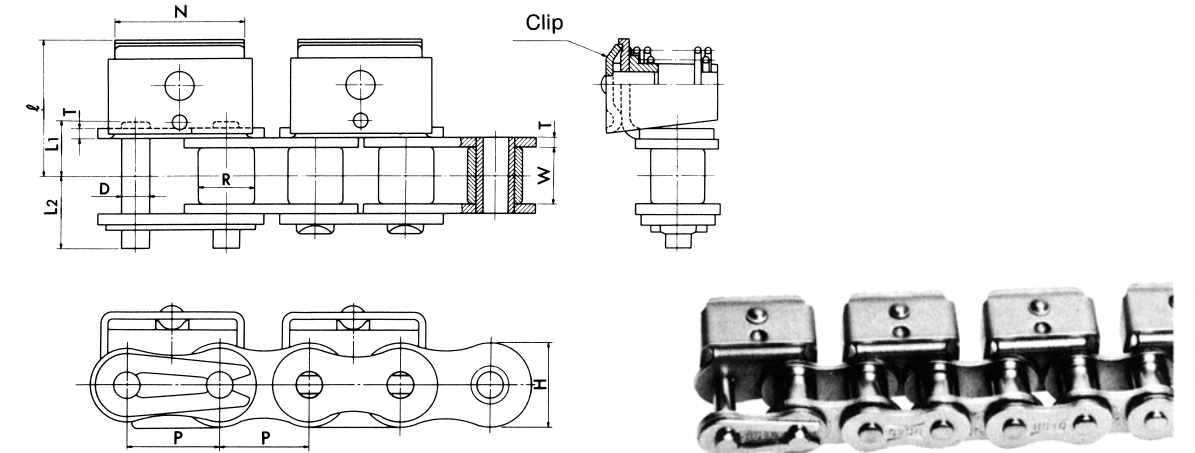
10. Conveys Long and Narrow Items

10.1 Sticker Attachment (Chain type: FS)

This chain with the pin top attachment is ideal for conveying long and narrow items such as film.



10.2 Clip Attachment (Chain type: KU)



TSUBAKI Chain No.	Pitch P	Roller Diameter R	Width Between Roller Link Plates W	Pin			Link Plate			N
				D	L ₁	L ₂	H	T	l	
RS 50	15.875 ($\frac{5}{8}$)	10.16 (0.4)	9.53 ($\frac{3}{8}$)	5.09 (0.20)	12.0 (0.472)	15.0 (0.590)	15.0 (0.590)	2.0 (0.078)	26.7 (1.051)	18.0 (0.708)
RS 08B	12.70 ($\frac{1}{2}$)	8.51 (0.335)	7.75 (0.305)	4.45 (0.175)	8.53 (0.335)	10.05 (0.395)	11.8 (0.464)	1.5 (0.059)	20.15 (0.793)	18.0 (0.708)

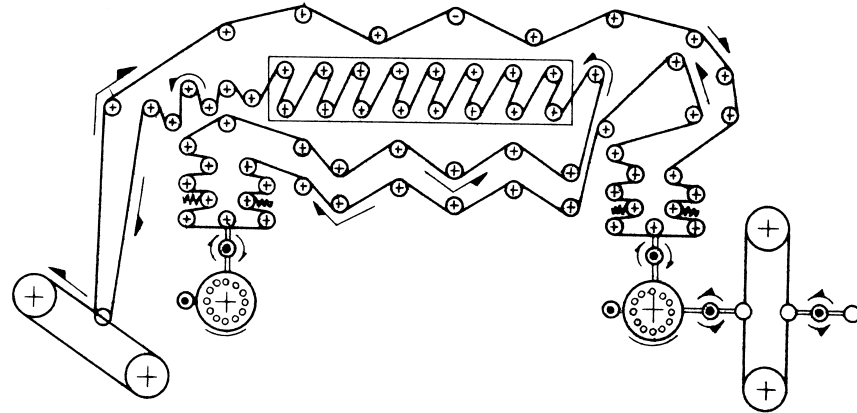
Note: Carbon steel chains, nickel plated chains, and stainless steel chains are available.

Upper dimensions . . . mm
Lower dimensions . . . inch

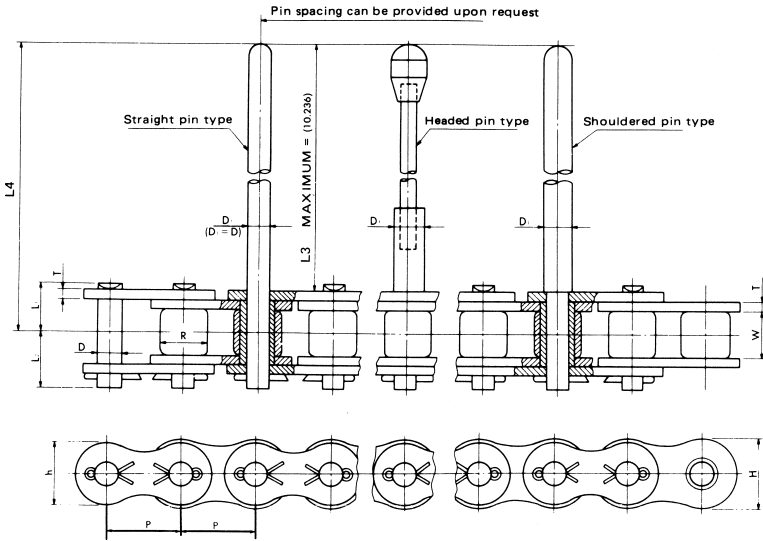
11. Conveys Receptacles

11.1 Extended Pin (Chain type: ON)

This chain with special extended pins is used in the drying of two-piece construction cans or tubes, which are pre-painted or finish painted.



Forming → Pre-painting → Print-painting → Dryer

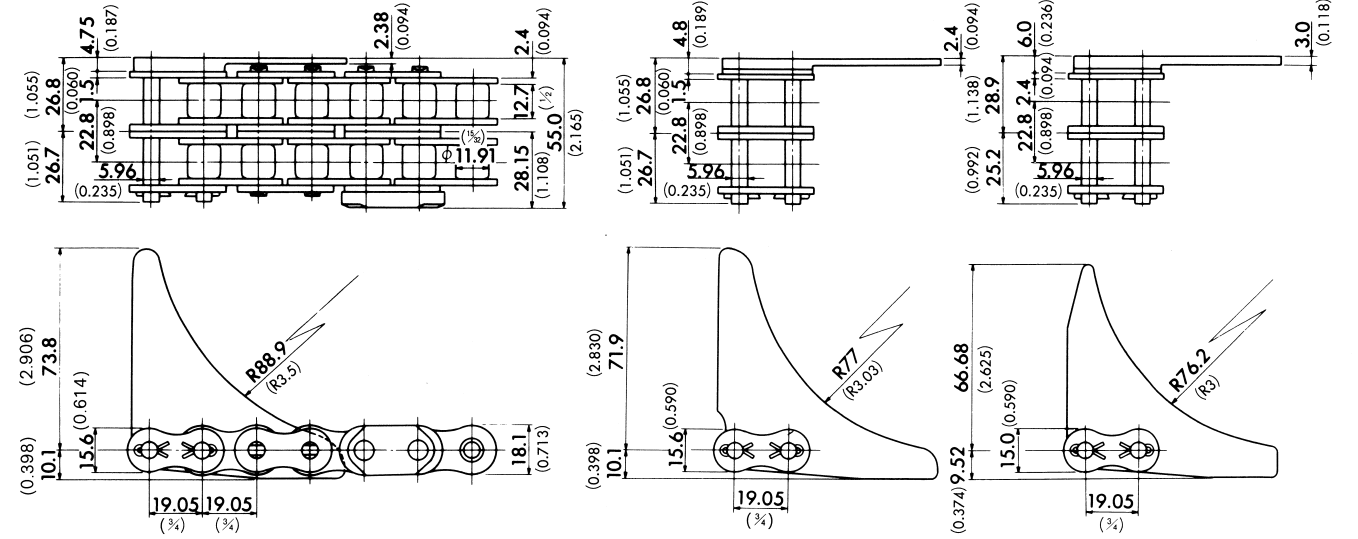


Upper dimensions . . . mm
Lower dimensions . . . inch

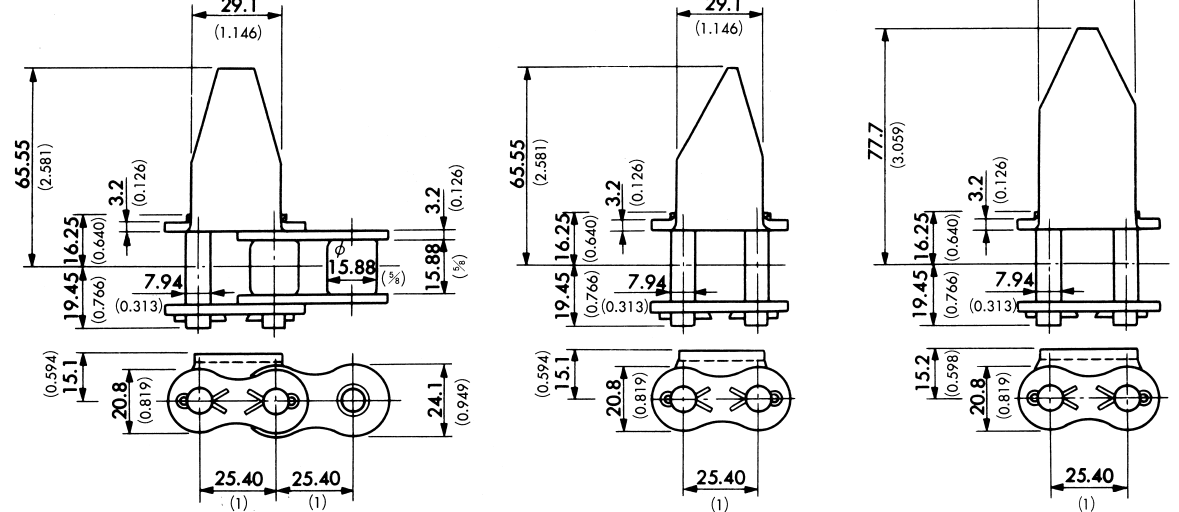
Type	TSUBAKI Chain No.	Pitch P	Width Between Roller Link Plates W	Roller Diameter R	Pin					Link Plate			
					D	D ₁	L ₁	L ₂	L ₃ , L ₄	h	H	T	
With Straight Pin	RS 50	15.875 (5/8)	9.53 (3/8)	10.16 (0.4)	5.09 (0.200)	5.09 (0.200)	10.3 (0.405)	11.9 (0.468)	Designated L ₃ or L ₄	13.0 (0.511)	15.0 (0.590)	2.0 (0.078)	
	RS 60	19.05 (3/4)	12.70 (1/2)	11.91 (3/2)	5.96 (0.234)	5.96 (0.234)	12.85 (0.505)	14.75 (0.58)		15.6 (0.614)	18.1 (0.712)	2.4 (0.094)	
With Shouldered Pin	RS 50	15.875 (5/8)	9.53 (3/8)	10.16 (0.4)	5.09 (0.200)	5.84 (0.234)	6.35 (0.250)	10.3 (0.405)	11.9 (0.468)	Designated L ₃ or L ₄	13.0 (0.511)	15.0 (0.590)	2.0 (0.078)
	RS 60	19.05 (3/4)	12.70 (1/2)	11.91 (3/2)	5.96 (0.234)	6.35 (0.250)	12.85 (0.505)	14.75 (0.58)	15.6 (0.614)		18.1 (0.712)	2.4 (0.094)	
With Headed Pin	RS 50	15.875 (5/8)	9.53 (3/8)	10.16 (0.4)	5.09 (0.200)	8.07 (0.318)	10.3 (0.405)	11.9 (0.468)	Designated L ₃ or L ₄	13.0 (0.511)	15.0 (0.590)	2.0 (0.078)	
	RS 60	19.05 (3/4)	12.70 (1/2)	11.91 (3/2)	5.96 (0.234)	8.07 (0.318)	12.85 (0.505)	14.75 (0.58)		15.6 (0.614)	18.1 (0.712)	2.4 (0.094)	

11.2 Can Feeder Chains (Chain type: KF)

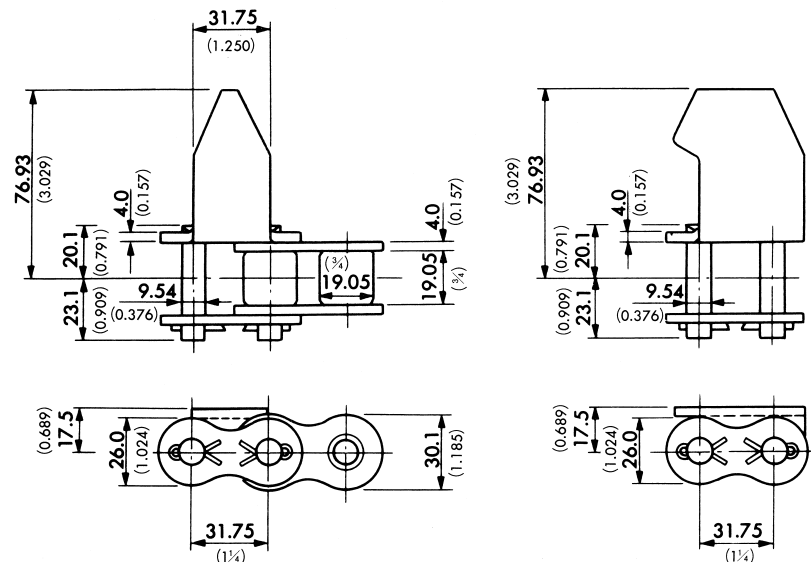
Chain No. RS60-2 AS



Chain No. RS80AS

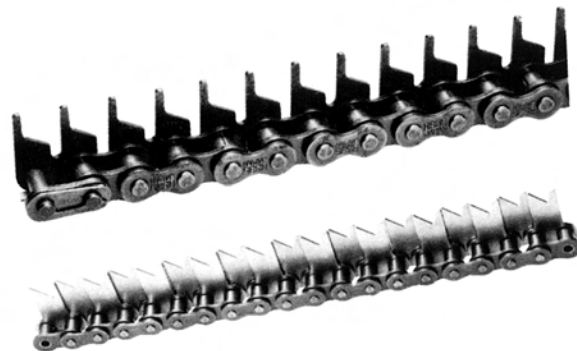
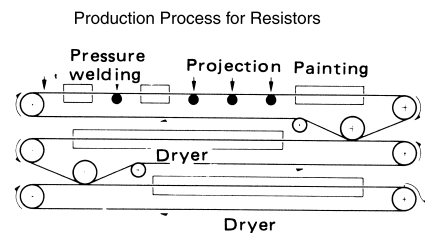


Chain No. RS100AS

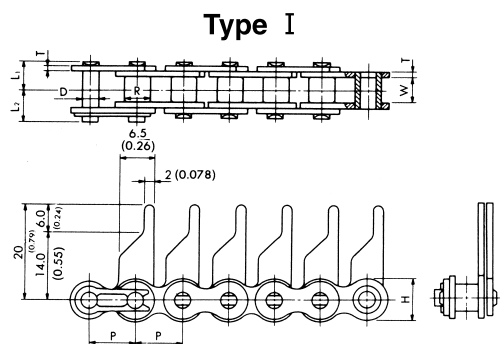


12. Conveys Rod Shaped Items (Chain type : RE)

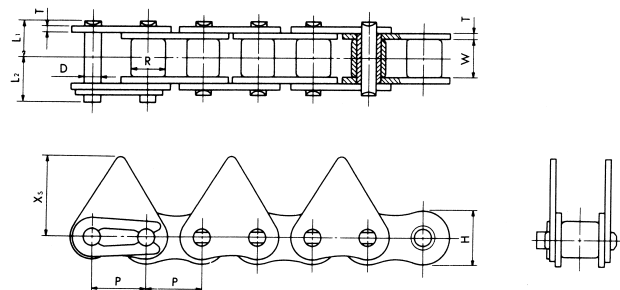
This chain has been widely used to convey resistors for household electric products or business machines, along painting lines.



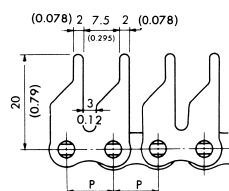
Conveyor chain for resistors (RS35)



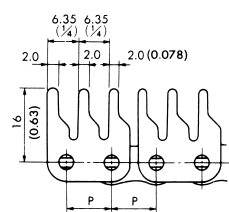
Conveyor chain for rod shaped items



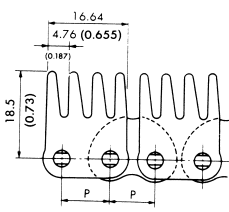
Type II



Type III



Type IV



Upper dimensions . . . mm
Lower dimensions . . . inch

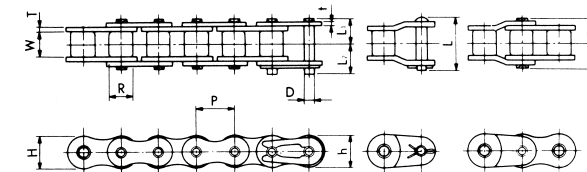
TSUBAKI Chain No.	Pitch P	Width Between Roller Link Plates W	Roller (Bushing) Diameter R	Pin			Link Plate			Average Tensile Strength kgf (lbs.)	Maximum Allowable load kgf (lbs.)
				D	L ₁	L ₂	H	T	X _s		
RS 35 *	9.525 (3/8)	4.58 (0.180)	5.08 (0.200)	3.59 (0.141)	5.85 (0.230)	6.85 (0.269)	9.0 (0.354)	1.25 (0.049)	—	1150 (2500)	220 (340)
RS 40	12.70 (1/2)	7.95 (3/16)	7.92 (3/16)	3.97 (0.156)	8.25 (0.324)	9.95 (0.391)	12.0 (0.472)	1.5 (0.059)	17.9 (0.704)	1950 (4200)	370 (810)
RS 50	15.875 (5/8)	9.53 (3/8)	10.16 (0.4)	5.09 (0.200)	10.3 (0.405)	12.0 (0.472)	15.0 (0.590)	2.0 (0.078)	23.5 (0.925)	3200 (7000)	650 (1430)
RS 60	19.05 (3/4)	12.70 (1/2)	11.91 (3/8)	5.96 (0.234)	12.85 (0.505)	14.75 (0.580)	18.1 (0.712)	2.4 (0.094)	20.8 (0.818)	4500 (9900)	900 (1980)
RS 80	25.40 (1)	15.88 (5/16)	15.88 (5/16)	7.94 (0.312)	16.25 (0.639)	19.25 (0.757)	24.1 (0.948)	3.2 (0.125)	29.0 (1.141)	8000 (17600)	1500 (3300)
RS 100	31.75 (1 1/4)	19.05 (3/4)	19.05 (3/4)	9.54 (0.375)	19.75 (0.777)	22.85 (0.899)	30.1 (1.185)	4.0 (0.157)	34.6 (1.362)	11000 (24200)	1740 (3800)

Note: 1. Special attachments can be designed and manufactured, if required.
2. Spring clip type connecting links will be provided for RS35 - RS60.
3. *Rollerless (bushing only).

13. Other Applications

13.1 BS Chain with Attachment (Chain type: BS)

For various other applications or for special requirements, Tsubaki BS type chains with attachments are available.

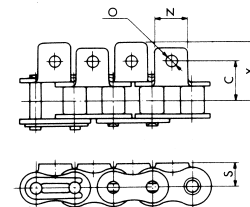


Upper dimensions . . . mm
Lower dimensions . . . inch

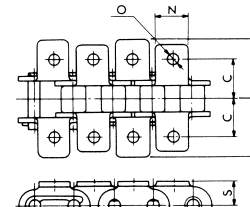
TSUBAKI Chain No.	ISO"B" Number	Pitch P	Roller Diameter R	Width Between Roller Link Plates W	Pin			Offset Pin L
					D	L ₁	L ₂	
RS 08B	08B	12.70 (1/2)	8.51 (0.335)	7.75 (0.305)	4.45 (0.175)	8.4 (0.331)	10.0 (0.394)	18.4 (0.724)
RS 10B	10B	15.875 (5/8)	10.16 (0.4)	9.65 (0.379)	5.08 (0.200)	9.55 (0.376)	11.25 (0.443)	21.1 (0.830)
RS 12B	12B	19.05 (3/4)	12.07 (0.475)	11.68 (0.459)	5.72 (0.225)	11.2 (0.441)	13.1 (0.516)	24.8 (0.976)
RS 16B	16B	25.40 (1)	15.88 (5/8)	17.02 (0.670)	8.28 (0.325)	17.75 (0.699)	19.95 (0.785)	38.9 (1.531)

TSUBAKI Chain No.	Link Plate				ISO"B" Tensile Strength kgf (lbs.)	Minimum Tensile Strength kgf (lbs.)	Approx. Weight kgf/m (lbs./ft.)	Number of Pitches per Unit
	h	H	t	T				
RS 08B	10.4 (0.409)	11.8 (0.464)	1.6 (0.063)	1.6 (0.063)	1820 (4000)	1930 (2100)	0.70 (0.50)	240
RS 10B	13.7 (0.539)	14.7 (0.578)	1.5 (0.059)	1.5 (0.059)	2260 (5000)	2340 (5200)	0.95 (0.68)	192
RS 12B	16.1 (0.633)	16.1 (0.633)	1.8 (0.070)	1.8 (0.070)	2950 (6500)	3160 (7000)	1.25 (0.90)	160
RS 16B	21.0 (0.826)	21.0 (0.826)	3.2 (0.125)	4.0 (0.157)	6120 (13500)	7100 (15700)	2.70 (1.90)	120

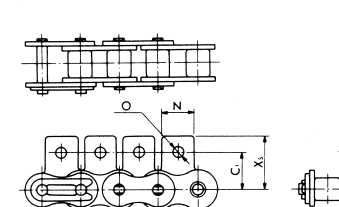
A-1 Attachment



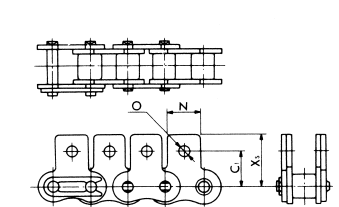
K-1 Attachment



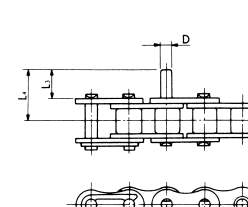
SA-1 Attachment



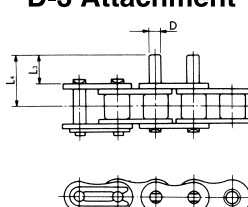
SK-1 Attachment



D-1 Attachment



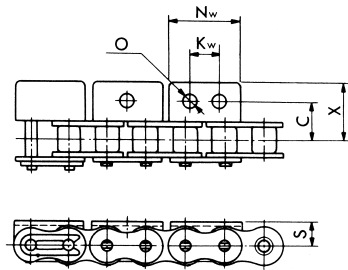
D-3 Attachment



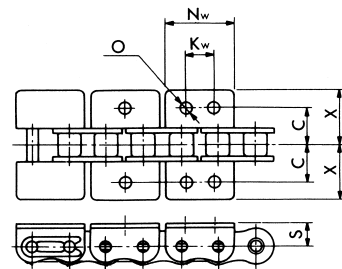
Upper dimensions . . . mm
Lower dimensions . . . inch

TSUBAKI Chain No.	C	C ₁	N	O	S	X	X _s	D	L ₃	L ₄
RS 08B	11.9 (0.468)	12.7 (0.500)	11.4 (0.448)	4.2 (0.165)	8.9 (0.350)	19.05 (0.750)	19.3 (0.759)	4.45 (0.175)	9.5 (0.374)	16.95 (0.667)
RS 10B	15.9 (0.625)	15.9 (0.625)	12.7 (0.500)	5.0 (0.196)	10.2 (0.401)	22.25 (0.875)	22.9 (0.901)	5.08 (0.200)	11.9 (0.468)	20.3 (0.799)
RS 12B	19.05 (0.750)	22.2 (0.874)	16.5 (0.649)	7.1 (0.279)	13.5 (0.531)	29.85 (1.175)	32.3 (1.271)	5.72 (0.226)	14.3 (0.562)	24.3 (0.956)
RS 16B	23.8 (0.937)	23.8 (0.937)	24.1 (0.948)	6.7 (0.263)	15.2 (0.598)	37.35 (1.470)	34.5 (1.358)	8.28 (0.325)	19.1 (0.751)	35.3 (1.389)

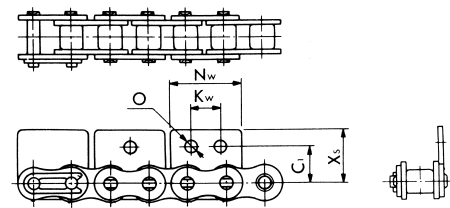
WA-0, WA-1, WA-2 Attachment



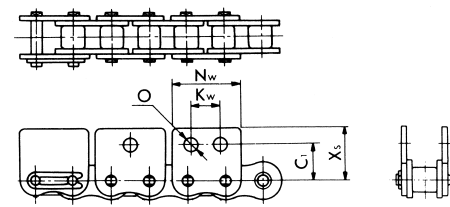
WK-0, WK-1, WK-2 Attachment



WSA-0, WSA-1, WSA-2 Attachment



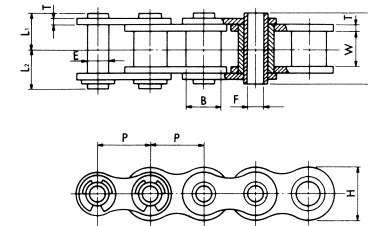
WSK-0, WSK-1, WSK-2 Attachment



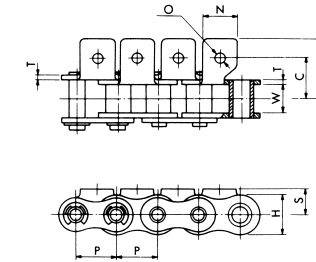
Upper dimensions. . . mm
Lower dimensions. . . inch

TSUBAKI Chain No.	Attachment							
	C	C ₁	O	S	X	X _s	N _w	K _w
RS 08B	12.7 (0.500)	13.1 (0.515)	4.9 (0.192)	8.9 (0.350)	20.3 (0.799)	20.7 (0.814)	24.6 (0.968)	12.7 (0.500)
RS 10B	15.9 (0.625)	16.6 (0.653)	5.0 (0.196)	10.2 (0.401)	22.85 (0.899)	23.6 (0.929)	30.0 (1.181)	15.9 (0.625)
RS 12B	17.45 (0.687)	17.6 (0.692)	5.5 (0.216)	11.4 (0.448)	25.65 (1.009)	25.8 (1.015)	34.8 (1.370)	19.1 (0.751)
RS 16B	26.6 (1.125)	26.0 (1.023)	8.1 (0.318)	15.9 (0.625)	39.25 (1.545)	36.7 (1.444)	46.0 (1.811)	25.4 (1.000)

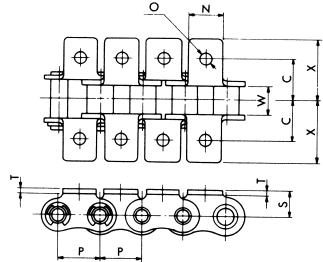
13.2 Hollow-Pin Chain with Attachment (Chain type: HP)



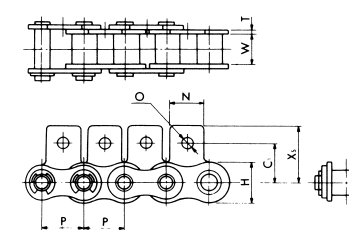
A-1 Attachment



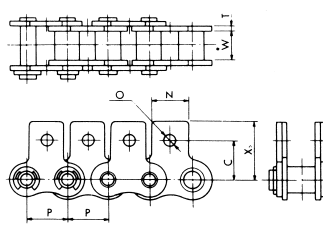
K-1 Attachment



SA-1 Attachment



SK-1 Attachment

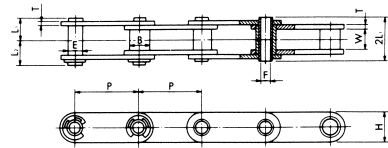


Upper dimensions. . . mm
Lower dimensions. . . inch

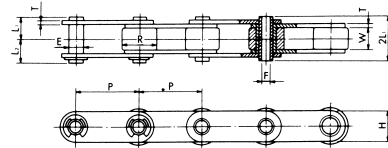
TSUBAKI Chain No.	Pitch P	Width Between Bush Link Plates W	Bushing Diameter B	Pin				Link Plate		Average Tensile Strength kgf (lbs.)	Maximum Allowable Load kgf (lbs.)	Approx. Weight kg/m (lbs./ft)
				E	F(MIN)	L ₁	L ₂	H	T			
RS 40HP	12.70 (1/2)	7.95 (5/16)	7.94 (5/16)	5.68 (0.223)	4.00 (0.157)	8.00 (0.314)	9.50 (0.374)	12.0 (0.472)	1.5 (0.059)	1100 (2400)	180 (390)	0.53 (0.38)
RS 50HP	15.875 (5/8)	9.53 (3/8)	10.16 (0.4)	7.22 (0.284)	5.12 (0.201)	10.05 (0.395)	11.65 (0.458)	15.0 (0.590)	2.0 (0.078)	2000 (4400)	320 (700)	0.86 (0.62)
RS 60HP	19.05 (3/4)	12.70 (1/2)	11.91 (15/32)	8.38 (0.329)	5.99 (0.235)	12.55 (0.494)	14.25 (0.561)	18.1 (0.712)	2.4 (0.094)	2700 (5900)	430 (940)	1.27 (0.91)
RS 80HP	25.40 (1)	15.88 (5/8)	15.88 (5/8)	11.375 (0.447)	8.02 (0.315)	16.25 (0.639)	17.80 (0.700)	24.1 (0.948)	3.2 (0.125)	4900 (10000)	780 (1700)	2.15 (1.50)

TSUBAKI Chain No.	Attachment							Additional Weight per Attachment kgf (lbs.)	
	C	C ₁	N	O	S	X	X _s	Attachment A, SA	Attachment K, SK
RS 40HP	12.7 (0.500)	12.7 (0.500)	9.5 (0.374)	3.6 (0.141)	8.0 (0.314)	17.8 (0.700)	17.40 (0.685)	0.002 (0.004)	0.004 (0.008)
RS 50HP	15.9 (0.625)	15.9 (0.625)	12.7 (0.500)	5.2 (0.204)	10.3 (0.405)	23.4 (0.921)	23.05 (0.907)	0.003 (0.006)	0.006 (0.013)
RS 60HP	19.05 (0.750)	18.3 (0.720)	15.9 (0.625)	5.2 (0.204)	11.9 (0.468)	28.2 (1.110)	26.85 (1.057)	0.007 (0.015)	0.014 (0.030)
RS 80HP	25.4 (1.000)	24.6 (0.968)	19.1 (0.751)	6.8 (0.267)	15.9 (0.625)	36.6 (1.440)	35.45 (1.395)	0.013 (0.028)	0.026 (0.057)

RF Standard "S" Roller Type, Bushed Type

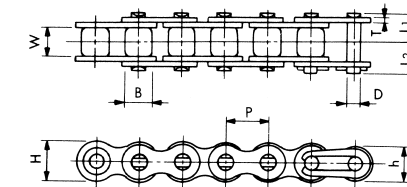


RF Oversize "R" Roller Type

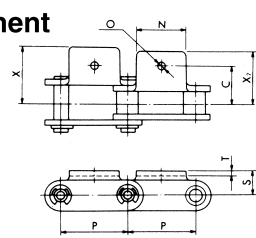


Upper dimensions . . . mm
Lower dimensions . . . inch

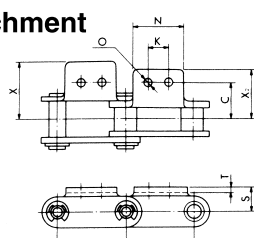
TSUBAKI Chain No.	Pitch P	Width Between Roller Bush Link Plates W	Bushings Diameter B	Roller Diameter R	Pin				Link Plate		Average Tensile Strength kgf (lbs.)	Maximum Allowable Load kgf (lbs.)	Approx. Weight kgf/m (lbs./ft)	
					E	F(MIN)	L ₁	L ₂	H	T			"S" Roller	"R" Roller
RF 2040HP-S RF 2040HP-R	25.40 (1)	7.95 (⁵ / ₁₆)	7.92 (⁵ / ₁₆)	15.88 (⁵ / ₈)	5.68 (0.223)	4.00 (0.157)	8.00 (0.314)	9.50 (0.374)	12.0 (0.472)	1.5 (0.059)	1100 (2400)	180 (390)	0.46 (0.33)	0.82 (0.59)
RF 2050HP-S RF 2050HP-R	31.75 (1 1/4)	9.53 (³ / ₈)	10.16 (0.4)	19.05 (³ / ₄)	7.22 (0.284)	5.12 (0.201)	10.05 (0.395)	11.65 (0.458)	15.0 (0.590)	2.0 (0.078)	2000 (4400)	320 (700)	0.75 (0.54)	1.21 (0.87)
RF 2060HP-S RF 2060HP-R	38.10 (1 1/2)	12.70 (1/2)	11.91 (¹⁵ / ₃₂)	22.23 (⁷ / ₈)	8.38 (0.329)	5.99 (0.235)	12.55 (0.494)	14.25 (0.561)	17.2 (0.677)	2.4 (0.094)	2700 (5900)	430 (940)	1.38 (0.99)	2.06 (1.40)
RF 2080HP-S RF 2080HP-R	50.80 (2)	15.88 (⁵ / ₈)	15.88 (⁵ / ₈)	28.58 (1 1/8)	11.375 (0.447)	8.02 (0.315)	16.25 (0.639)	17.80 (0.700)	23.0 (0.905)	3.2 (0.125)	4900 (10000)	780 (1700)	1.80 (1.30)	2.81 (2.0)



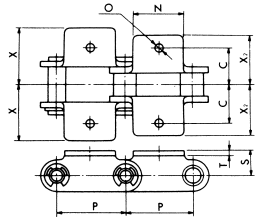
A-1 Attachment



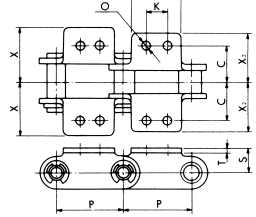
A-2 Attachment



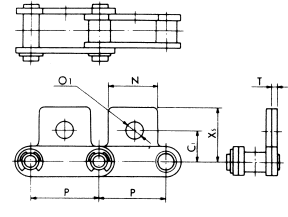
K-1 Attachment



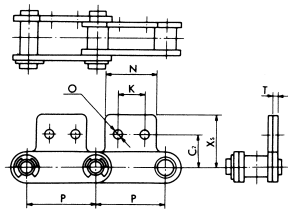
K-2 Attachment



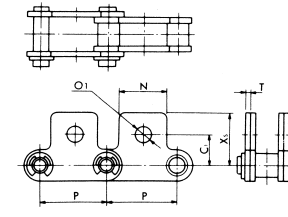
SA-1 Attachment



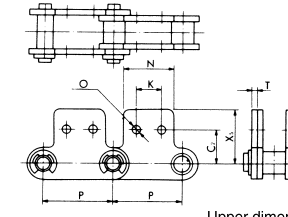
SA-2 Attachment



SK-1 Attachment



SK-2 Attachment



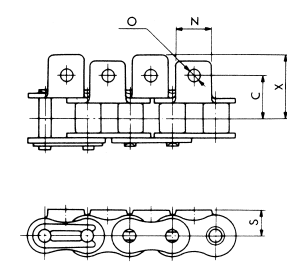
Upper dimensions . . . mm
Lower dimensions . . . inch

TSUBAKI Chain No.	Pitch P	Attachment											Additional Weight per Attachment kgf (lbs)		
		C	C ₁	C ₂	K	N	O	O ₁	S	T	X	X ₂	X _s	Attachment A, SA	Attachment K, SK
RF 2040S RF 2040R	25.40 (1)	12.7 (0.500)	11.1 (0.437)	13.6 (0.535)	9.5 (0.374)	19.1 (0.751)	3.6 (0.141)	5.2 (0.204)	9.1 (0.358)	1.5 (0.059)	19.3 (0.759)	17.6 (0.692)	19.8 (0.779)	0.003 (0.006)	0.006 (0.013)
RF 2050S RF 2050R	31.75 (1 1/4)	15.9 (0.625)	14.3 (0.562)	15.9 (0.625)	11.9 (0.468)	23.8 (0.937)	5.2 (0.204)	6.8 (0.267)	11.1 (0.437)	2.0 (0.078)	24.2 (0.952)	22.0 (0.866)	24.6 (0.968)	0.006 (0.013)	0.012 (0.026)
RF 2060S RF 2060R	38.10 (1 1/2)	21.45 (0.844)	17.5 (0.688)	19.1 (0.751)	14.3 (0.562)	28.6 (1.125)	5.2 (0.204)	8.7 (0.342)	14.7 (0.578)	2.4 (0.094)	31.5 (1.240)	28.9 (1.137)	32.8 (1.291)	0.013 (0.028)	0.026 (0.057)
RF 2080S RF 2080R	50.80 (2)	27.8 (1.094)	22.2 (0.874)	25.4 (1.000)	19.1 (0.751)	38.1 (1.500)	6.8 (0.267)	10.3 (0.405)	19.1 (0.751)	3.2 (0.125)	40.7 (1.602)	37.3 (1.468)	40.5 (1.594)	0.026 (0.057)	0.052 (0.110)

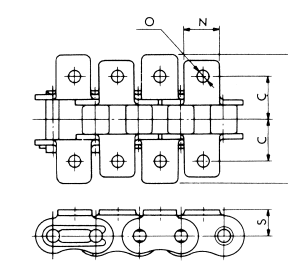
13.3 Lube-Free Chain with Attachment (Chain type: SL)

This chain has sintered metal bushings impregnated with high quality lubricant.

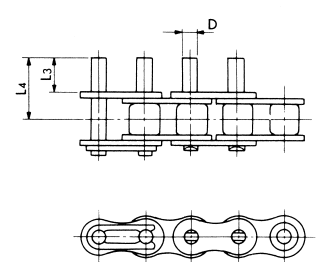
A-1 Attachment



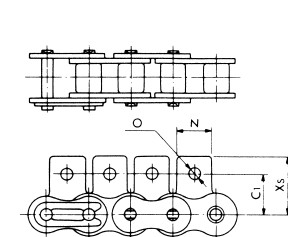
K-1 Attachment



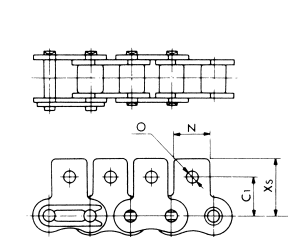
D Attachment



SA-1 Attachment



SK-1 Attachment



Upper dimensions . . . mm
Lower dimensions . . . inch

TSUBAKI Chain No.	Pitch P	Bushings Diameter B	Width Between Bush Link Plates W	Link Plate				Pin			Average Tensile Strength kgf (lbs.)	Approx. Weight kgf/m (lbs./ft)
				T	H	h	D	L ₁ +L ₂	L ₁	L ₂		
RS 40SL	12.70 (1/2)	7.92 (⁵ / ₁₆)	7.55 (0.297)	1.5 (0.059)	12.0 (0.472)	10.4 (0.409)	3.97 (0.156)	18.2 (0.717)	8.25 (0.325)	9.95 (0.392)	1,260 (2778)	0.64 (0.45)
RS 50SL	15.875 (0.625)	10.16 (0.4)	9.13 (0.359)	2.0 (0.079)	15.0 (0.591)	13.0 (0.512)	5.09 (0.20)	22.3 (0.878)	10.3 (0.406)	12.0 (0.472)	2,000 (4409)	1.04 (0.73)
RS 60SL	19.05 (0.750)	11.91 (0.469)	12.30 (0.484)	2.4 (0.094)	18.1 (0.713)	15.6 (0.614)	5.96 (0.235)	28.1 (1.106)	12.85 (0.506)	15.25 (0.60)	3,000 (6614)	1.53 (1.07)

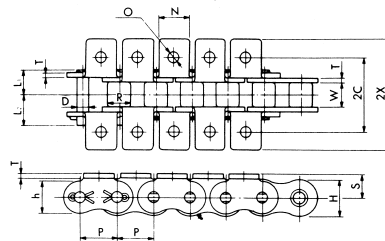
Upper dimensions . . . mm
Lower dimensions . . . inch

TSUBAKI Chain No.	Attachment										Additional Weight per Attachment kgf (lbs)		
	C	C ₁	N	O	S	X	X _s	L ₃	L ₄	A, SA	K, SK	D	
RS 40SL	12.7 (1/2)	12.7 (1/2)	9.5 (0.374)	3.6 (0.142)	8.0 (0.315)	17.8 (0.701)	17.40 (0.685)	9.5 (0.374)	16.8 (0.661)	0.002 (0.004)	0.004 (0.009)	0.001 (0.002)	
RS 50SL	15.9 (0.625)	15.9 (0.625)	12.7 (1/2)	5.2 (0.205)	10.3 (0.406)	23.4 (0.921)	23.05 (0.907)	11.9 (0.469)	21.0 (0.827)	0.003 (0.006)	0.006 (0.013)	0.002 (0.004)	
RS 60SL	19.05 (0.750)	18.3 (0.720)	15.9 (0.625)	5.2 (0.205)	11.9 (0.469)	28.2 (1.110)	26.85 (1.057)	14.3 (0.563)	25.85 (1.018)	0.007 (0.015)	0.014 (0.031)	0.003 (0.006)	

Note: 1: To be used within an ambient temperature range of: -10°C ~ +50°C (+15°F ~ +120°F).
2: Chain speed should be kept below 150m/min. (490 ft./min.).
3: Re-oiling will increase chain life.

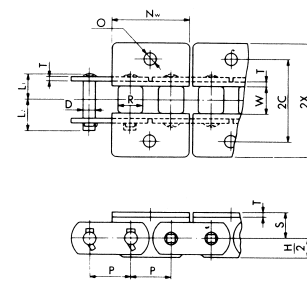
13.4 Large Pitch Chain (more than RS180) with Attachment (Chain type: RS)

K-1 Attachment



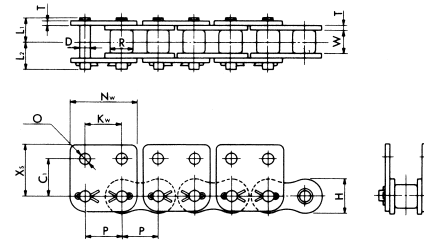
RS180, RS200, RS240, RF320T, RF400T, are available.

WK-1 Attachment



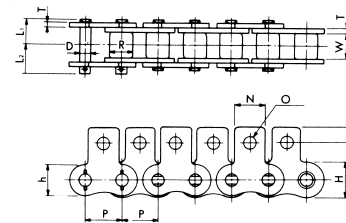
RF400T is available.

WSK-2 Attachment



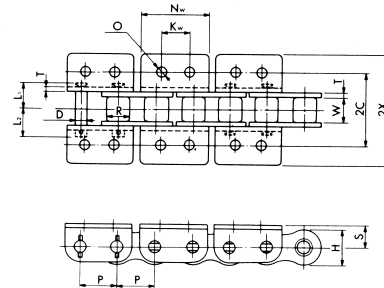
RS200, RS240, RF400T are available.

SK-1 Attachment (RS240)



RS200, RS240 are available.
Cottered type connecting links will be provided for RS200.

WK-2 Attachment



RS240 is available.

Upper dimensions. . . mm
Lower dimensions. . . inch

TSUBAKI Chain No.	Pitch P	Roller Diameter R	Width Between Roller Link Plates W	Pin		Link Plate					Attachment		
				D	L ₁	L ₂	h	H	T	2C	C ₁	N	O
RS 180	57.15 (2 1/4)	35.71 (1.405)	35.72 (1 3/32)	17.46 (0.687)	35.65 (1.403)	42.45 (1.671)	46.8 (1.842)	54.2 (2.133)	7.15 (0.281)	114.3 (4.500)	—	42.0 (1.653)	15.0 (0.590)
RS 200	63.50 (2 1/2)	39.69 (1.562)	38.10 (1 1/2)	19.85 (0.782)	39.0 (1.535)	44.8 (1.763)	52.0 (2.047)	60.3 (2.374)	8.0 (0.314)	127.0 (5.000)	63.5 (2.500)	48.0 (1.889)	17.5 (0.688)
RS 240	76.20 (3)	47.63 (1.875)	47.63 (1.875)	23.81 (0.937)	47.9 (1.885)	55.5 (2.185)	62.4 (2.456)	72.4 (2.850)	9.5 (0.374)	152.4 (6.000)	76.2 (3.000)	57.2 (2.251)	21.0 (0.826)
RF 320T	101.6 (4)	63.5 (2.500)	63.65 (2.505)	31.75 (1.250)	63.8 (2.511)	77.6 (3.055)	—	92 (3.622)	12.7 (0.500)	203.2 (8.000)	—	76.2 (3.000)	25.4 (1.000)
RF 400T	127.0 (5)	79.38 (3.125)	79.3 (3.122)	39.68 (1.562)	79.65 (3.135)	92.65 (3.647)	—	120 (4.724)	16.0 (0.629)	254.0 (10.000)	120 (4.724)	101.6 (4.000)	38.4 (1.511)

TSUBAKI Chain No.	S	2X	X _s	N _w	K _w	Average Tensile Strength kgf (lbs.)	Approx. Chain Weight kg/m (lbs./ft.)
RS 180	35.8 (1.409)	160.3 (6.311)	—	—	—	35500 (78000)	13.45 (9.7)
RS 200	42.9 (1.688)	167.0 (6.574)	85.5 (3.366)	115.4 (4.543)	63.5 (2.500)	44000 (96000)	16.49 (11.9)
RS 240	47.7 (1.877)	195.8 (7.708)	106.7 (4.200)	138.5 (5.452)	57.0 (2.244)	68000 (140000)	24.5 (17.7)
RF 320T	85.5 (3.366)	281.3 (11.074)	—	—	—	117000 (250000)	47.6 (34.4)
RF 400T	79.4 (3.125)	356.0 (14.015)	180 (7.086)	245 (9.645)	127.0 (5.000)	199000 (430000)	83.9 (60.6)

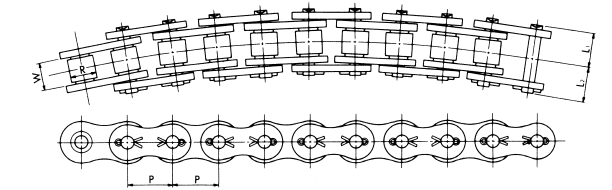
Installation links for each attachment are shown below.

TSUBAKI Chain No.	K-1	SK-1	WK-1	WK-2	WSK-2
RS 180	PL or RL	—	—	—	—
RS 200	PL or RL	RL	—	—	PL
RS 240	PL or RL	PL or RL	—	PL	PL
RF 320T	PL	—	—	—	—
RF 400T	PL	—	RL	—	PL

Note: PL means pin link.
RL means roller link.

13.5 Fx Chain (Chain type: FX)

Tsubaki FX chains feature excellent durability and flexibility for tough applications, such as in concrete mixers, earth moving equipment and mining machines.



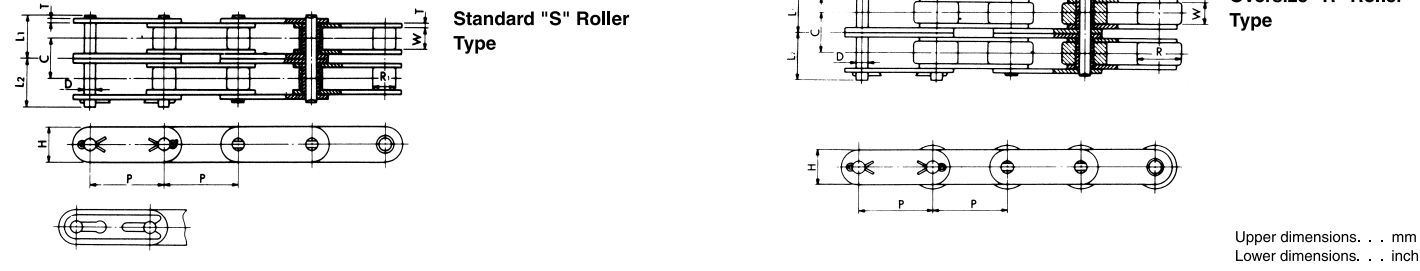
- FX Chains are interchangeable with ANSI Standard Chains and can operate on ANSI Standard sprockets.
- Increased clearance between pins and bushings allows the chain to accommodate a 100mm (3.94 inches) lateral side bow and an 8 degree twist per 120 cm (4 ft.) of chain.

Upper dimensions. . . mm
Lower dimensions. . . inch

TSUBAKI Chain No.	Pitch P	Roller Diameter R	Width Between Roller Link Plates W	Pin		Average Tensile Strength kgf (lbs.)	Approx. Weight kg/m (lbs./ft.)
				L ₁	L ₂		
RS 100FX	31.75 (1 1/4)	19.05 (3/4)	19.05 (3/4)	19.75 (0.777)	22.85 (0.899)	10900 (24000)	3.74 (2.7)
RS 120FX	38.10 (1 1/2)	22.23 (7/8)	25.40 (1)	24.90 (0.980)	28.90 (1.137)	15400 (33000)	5.49 (3.9)
RS 140FX	44.45 (1 3/4)	25.40 (1)	25.40 (1)	26.90 (1.059)	31.70 (1.248)	20800 (45000)	7.44 (5.3)
RS 160FX	50.80 (2)	28.58 (1 1/8)	31.75 (1 1/4)	31.85 (1.253)	36.85 (1.450)	26300 (57000)	9.72 (7.0)
RS 180FX	57.15 (2 1/4)	35.71 (1.405)	35.72 (1.406)	35.65 (1.403)	42.45 (1.671)	32700 (72000)	12.9 (9.3)



13.6 Double Strands with Attachment (Chain type: 2A)



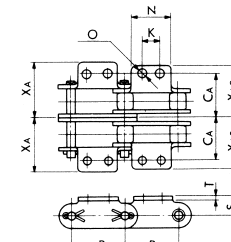
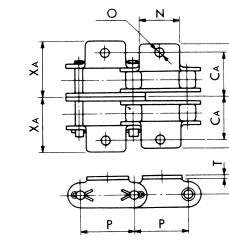
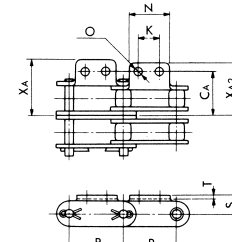
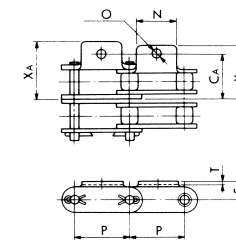
TSUBAKI Chain No.	Pitch P	Width Between Roller Link Plates W	Transverse Pitch C	Roller Diameter R		Pin		Link Plate		CL Type	
				"S"Roller	"R"Roller	D	L ₁	L ₂	H		T
RF 2040-2-S RF 2040-2-R	25.40 (1)	7.95 (5/16)	14.4 (0.566)	7.94 (5/16)	15.88 (5/8)	3.97 (0.156)	15.45 (0.608)	17.15 (0.675)	12.0 (0.472)	1.5 (0.059)	Spring clip
RF 2050-2-S RF 2050-2-R	31.75 (1 1/4)	9.53 (7/8)	18.1 (0.712)	10.16 (0.4)	19.05 (5/4)	5.09 (0.200)	19.35 (0.761)	21.15 (0.832)	15.0 (0.590)	2.0 (0.078)	Spring clip
RF 2060-2-S RF 2060-2-R	38.10 (1 1/2)	12.70 (1/2)	26.2 (1.031)	11.91 (15/32)	22.23 (5/8)	5.96 (0.234)	27.7 (1.090)	29.6 (1.165)	17.2 (0.677)	3.2 (0.125)	Spring clip
RF 2080-2-S RF 2080-2-R	50.80 (2)	15.88 (5/8)	32.6 (1.283)	15.88 (5/8)	28.58 (1 1/8)	7.96 (0.313)	34.6 (1.362)	37.3 (1.468)	23.0 (0.905)	4.0 (0.157)	Spring clip

A-1 Attachment

A-2 Attachment

K-1 Attachment

K-2 Attachment

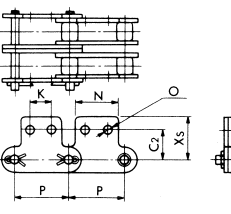
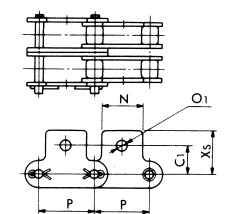
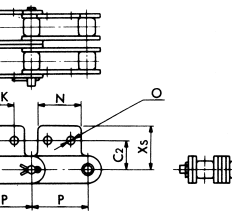
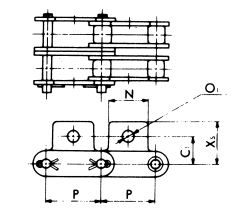


SA-1 Attachment

SA-2 Attachment

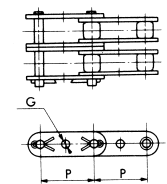
SK-1 Attachment

SK-2 Attachment

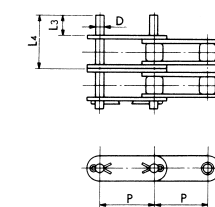


GK-1 Attachment

(*"R"Roller type is not available.)

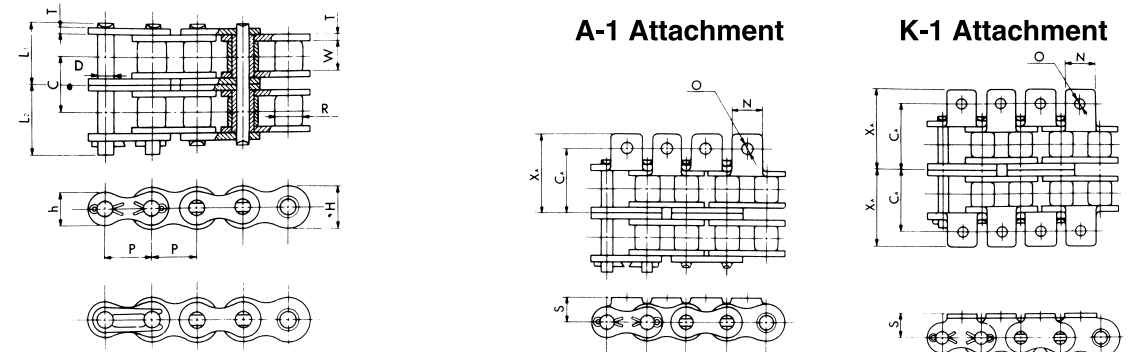


D Attachment

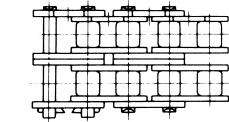


Upper dimensions . . . mm
Lower dimensions . . . inch

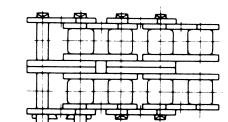
TSUBAKI Chain No.		P	CA	C ₁	C ₂	K	N	O	O ₁	S	T	X _A	X _{A2}	X _S	D	L ₃	L ₄	G
RF 2040-2-S	RF 2040-2-R	25.40 (1)	19.9 (0.783)	11.1 (0.437)	13.6 (0.535)	9.5 (0.374)	19.1 (0.751)	3.6 (0.141)	5.2 (0.204)	9.1 (0.358)	1.5 (0.059)	26.5 (1.043)	24.8 (0.976)	19.8 (0.779)	3.97 (0.156)	9.5 (0.374)	23.95 (0.942)	4.1 (0.161)
RF 2050-2-S	RF 2050-2-R	31.75 (1 1/4)	24.95 (0.982)	14.3 (0.562)	15.9 (0.625)	11.9 (0.468)	23.8 (0.937)	5.2 (0.204)	6.8 (0.267)	11.1 (0.437)	2.0 (0.078)	33.25 (1.309)	31.05 (1.222)	24.6 (0.968)	5.09 (0.200)	11.9 (0.468)	30.05 (1.183)	5.1 (0.200)
RF 2060-2-S	RF 2060-2-R	38.10 (1 1/2)	34.55 (1.360)	17.5 (0.688)	19.1 (0.751)	14.3 (0.562)	28.6 (1.125)	5.2 (0.204)	8.7 (0.342)	14.7 (0.578)	3.2 (0.125)	44.6 (1.755)	41.3 (1.625)	30.6 (1.204)	5.96 (0.234)	14.3 (0.562)	40.6 (1.598)	6.1 (0.240)
RF 2080-2-S	RF 2080-2-R	50.80 (2)	44.10 (1.736)	22.2 (0.874)	25.4 (1.000)	19.1 (0.751)	38.1 (1.500)	6.8 (0.267)	10.3 (0.405)	19.1 (0.751)	4.0 (0.157)	57.0 (2.244)	52.9 (2.082)	40.5 (1.594)	7.94 (0.312)	19.1 (0.751)	51.8 (2.039)	8.1 (0.318)



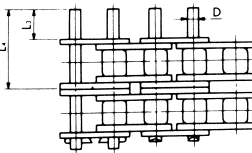
SA-1 Attachment



SK-1 Attachment



D Attachment



Upper dimensions . . . mm
Lower dimensions . . . inch

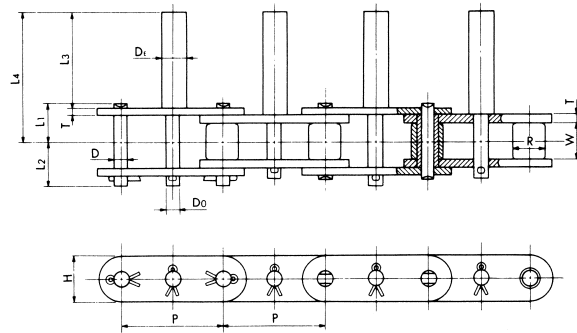
TSUBAKI Chain No.	Pitch P	Width Between Roller Link Plates W	Roller (Bushing) Diameter R	Transverse Pitch C	Pin					Link Plate			Attachment				
					D	L ₁	L ₂	h	H	T	CA	C ₁	N	O	S		
RS 25-2 *	6.35 (1/4)	3.18 (1/8)	3.30 (0.129)	6.4 (0.251)	2.31 (0.090)	7.0 (0.275)	8.0 (0.314)	5.08 (0.200)	5.84 (0.229)	0.75 (0.029)	10.35 (0.407)	7.95 (0.312)	5.6 (0.220)	3.4 (0.133)	4.75 (0.187)		
RS 35-2 *	9.525 (1/2)	4.78 (5/16)	5.08 (0.200)	10.1 (0.397)	3.59 (0.141)	10.9 (0.429)	11.9 (0.468)	7.8 (0.307)	9.0 (0.354)	1.25 (0.049)	14.55 (0.572)	9.5 (0.374)	7.9 (0.311)	3.4 (0.133)	6.35 (0.250)		
RS 40-2	12.70 (1/2)	7.95 (5/16)	7.92 (5/16)	14.4 (0.566)	3.97 (0.156)	15.45 (0.608)	17.15 (0.675)	10.4 (0.409)	12.0 (0.472)	1.5 (0.059)	19.9 (0.783)	12.7 (0.500)	9.5 (0.374)	3.6 (0.141)	8.0 (0.314)		
RS 50-2	15.875 (5/8)	9.53 (3/4)	10.16 (0.4)	18.1 (0.712)	5.09 (0.200)	19.35 (0.761)	21.15 (0.832)	13.0 (0.511)	15.0 (0.590)	2.0 (0.078)	24.95 (0.982)	15.9 (0.625)	12.7 (0.500)	5.2 (0.204)	10.3 (0.405)		
RS 60-2	19.05 (3/4)	12.70 (1/2)	11.91 (15/32)	22.8 (0.897)	5.96 (0.234)	24.25 (0.954)	26.25 (1.033)	15.6 (0.614)	18.1 (0.712)	2.4 (0.094)	30.45 (1.198)	18.3 (0.720)	15.9 (0.625)	5.2 (0.204)	11.9 (0.468)		
RS 80-2	25.40 (1)	15.88 (5/8)	15.88 (5/8)	29.3 (1.153)	7.94 (0.312)	30.9 (1.216)	33.9 (1.334)	20.8 (0.818)	24.1 (0.948)	3.2 (0.125)	40.05 (1.576)	24.6 (0.968)	19.1 (0.751)	6.8 (0.267)	15.9 (0.625)		
RS 100-2	31.75 (1 1/4)	19.05 (3/4)	19.05 (3/4)	35.8 (1.409)	9.54 (0.375)	37.7 (1.484)	40.8 (1.606)	26.0 (1.023)	30.1 (1.185)	4.0 (0.157)	49.65 (1.954)	31.8 (1.251)	25.4 (1.000)	8.7 (0.342)	19.8 (0.779)		
RS 120-2	38.10 (1 1/2)	25.40 (1)	22.23 (7/8)	45.4 (1.787)	11.11 (0.437)	47.6 (1.874)	51.6 (2.031)	31.2 (1.228)	36.2 (1.425)	4.8 (0.188)	60.8 (2.393)	36.5 (1.437)	28.6 (1.125)	10.3 (0.405)	23.0 (0.905)		
RS 140-2	44.45 (1 3/4)	25.40 (1)	25.40 (1)	48.9 (1.925)	12.71 (0.500)	51.35 (2.021)	56.15 (2.210)	36.4 (1.433)	42.2 (1.661)	5.6 (0.220)	68.95 (2.714)	44.5 (1.751)	34.9 (1.374)	11.9 (0.468)	28.6 (1.125)		
RS 160-2	50.80 (2)	31.75 (1 1/4)	28.58 (1 1/8)	58.5 (2.303)	14.29 (0.562)	61.15 (2.407)	66.15 (2.604)	41.6 (1.637)	48.2 (1.897)	6.4 (0.251)	80.05 (3.151)	50.8 (2.000)	38.1 (1.500)	14.3 (0.562)	31.8 (1.251)		

* Rollerless (bushing only)

TSUBAKI Chain No.	Attachment			
	X _A	X _S	L ₃	L ₄
RS 25-2 *	13.9 (0.547)	11.65 (0.458)		
RS 35-2 *	19.35 (0.761)	14.55 (0.572)		
RS 40-2	25.0 (0.984)	17.40 (0.685)	9.5 (0.374)	23.95 (0.942)
RS 50-2	32.45 (1.277)	23.05 (0.907)	11.9 (0.468)	30.05 (1.183)
RS 60-2	39.6 (1.559)	26.85 (1.057)	14.3 (0.562)	37.15 (1.462)
RS 80-2	51.25 (2.017)	35.45 (1.395)	19.1 (0.751)	48.55 (1.911)
RS 100-2	62.8 (2.472)	44.00 (1.732)	23.8 (0.937)	59.75 (2.352)
RS 120-2	78.5 (3.090)	52.85 (2.080)	28.6 (1.125)	74.1 (2.917)
RS 140-2	87.55 (3.446)	63.50 (2.500)	33.3 (1.311)	81.95 (3.226)
RS 160-2	101.05 (3.978)	70.10 (2.759)	38.1 (1.500)	96.65 (3.805)

* Rollerless (bushing only)

13.7 D-5 Attachment (Chain type: D5)



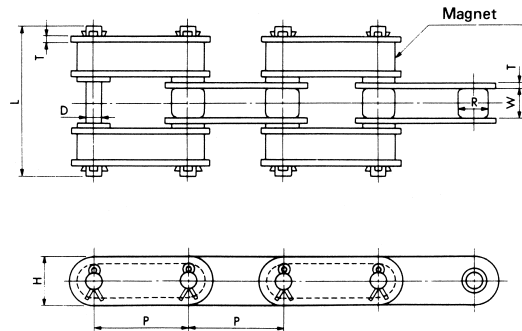
Upper dimensions . . . mm
Lower dimensions . . . inch

TSUBAKI Chain No.	Pitch P	Width Between Roller Link Plates W	Roller Diameter R	Pin					Link Plate	
				D	L ₁	L ₂	Do	DE	H	T
RF 2040S	25.40 (1)	7.95 (⁵ / ₁₆)	7.92 (⁵ / ₁₆)	3.97 (0.156)	8.25 (0.324)	9.65 (0.379)	4.1 (0.161)	5.2 (0.204)	12.0 (0.472)	1.5 (0.059)
RF 2050S	31.75 (1 1/4)	9.53 (³ / ₈)	10.16 (0.4)	5.09 (0.200)	10.3 (0.405)	11.9 (0.468)	5.1 (0.200)	6.35 (0.250)	15.0 (0.590)	2.0 (0.078)
RF 2060S	38.10 (1 1/2)	12.70 (1/2)	11.91 (¹⁵ / ₃₂)	5.96 (0.234)	14.55 (0.572)	16.95 (0.667)	6.1 (0.240)	8.35 (0.328)	17.2 (0.677)	3.2 (0.125)
RF 2080S	50.80 (2)	15.88 (⁵ / ₈)	15.88 (⁵ / ₈)	7.94 (0.312)	18.3 (0.720)	20.9 (0.822)	8.1 (0.318)	10.0 (0.393)	23.0 (0.905)	4.0 (0.157)
RF 2100S	63.50 (2 1/2)	19.05 (³ / ₄)	19.05 (³ / ₄)	9.54 (0.375)	21.8 (0.858)	24.5 (0.964)	10.1 (0.397)	11.6 (0.456)	28.6 (1.125)	4.8 (0.188)

Note: Please specify your required dimensions for L₃ and L₄ when ordering.
Minimum effective number of sprocket teeth is 11.5 (actual number of teeth should be 30 and over) in the case of RS standard sprockets.

13.8 Magnetic Attachment (Chain type: MG)

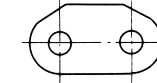
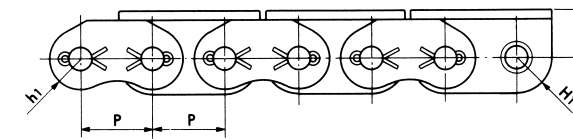
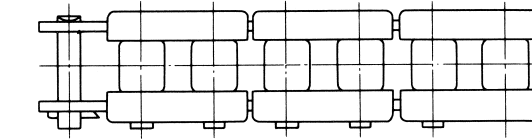
This chain with a magnetic attachment can be used to convey items on a slope.



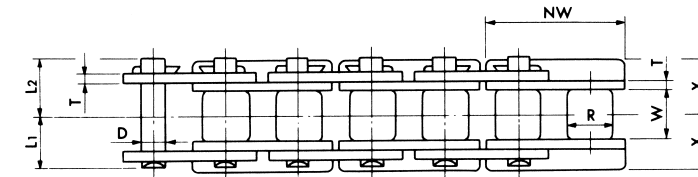
TSUBAKI Chain No.	Pitch P	Width Between Roller Link Plates W	Roller Diameter R	Pin		Link Plate		Maximum Allowable Load kgf(lbs.)	Approx. Weight kgf/m (lbs/ft.)
				L	D	H	T		
RF 2040	25.40 (1.0)	7.95 (0.313)	7.92 (0.31)	45.5 (1.791)	3.97 (0.156)	12.0 (0.472)	1.5 (0.059)	45 (99)	1.32 (0.93)
RF 2060	38.10 (1.50)	12.70 (1/2)	11.91 (0.469)	64.1 (2.524)	5.96 (0.235)	17.2 (0.677)	3.2 (0.126)	105 (231)	2.66 (1.87)

13.9 No Bend Type (Chain type: NB)

This chain only bends in one direction.



The RS80 pin link plates are shown in the diagram on the left.

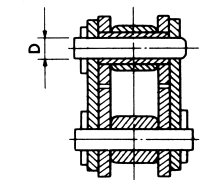
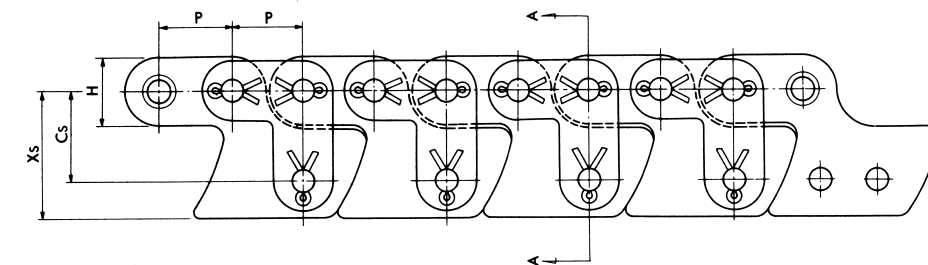


Upper dimensions . . . mm
Lower dimensions . . . inch

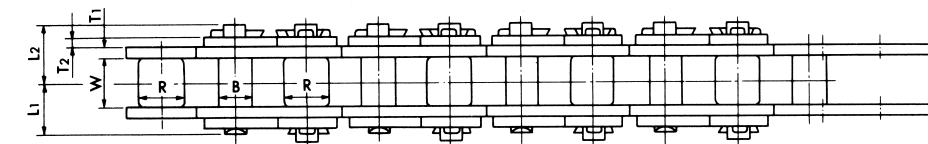
TSUBAKI Chain No.	Pitch P	Width Between Roller Link Plates W	Roller Diameter R	Pin			Link Plate			Attachment		
				D	L ₁	L ₂	h ₁	H ₁	T	NW	S	X
RS 60	19.05 (³ / ₄)	12.70 (1/2)	11.91 (¹⁵ / ₃₂)	5.96 (0.235)	12.85 (0.506)	15.25 (0.600)	7.8 (0.307)	9.05 (0.356)	2.4 (0.094)	37.2 (1.465)	12.7 (0.500)	14.65 (0.577)
RS 80	25.40 (¹ / ₂)	15.88 (⁵ / ₈)	15.88 (⁵ / ₈)	7.94 (0.313)	16.25 (0.639)	19.25 (0.758)	10.1 (0.409)	11.7 (0.461)	3.2 (0.125)	50.0 (1.969)	16.6 (0.654)	20.55 (0.809)
RS 100	31.75 (1 1/4)	19.05 (³ / ₄)	19.05 (³ / ₄)	9.54 (0.376)	19.75 (0.778)	22.85 (0.900)	13.0 (0.512)	15.05 (0.593)	4.0 (0.157)	61.9 (2.437)	20.0 (0.787)	21.75 (0.856)

13.10 Push Pull Chain (Chain type: PB)

This chain can drive loads by pushing and pulling like a linear actuator.



A-A cross-section

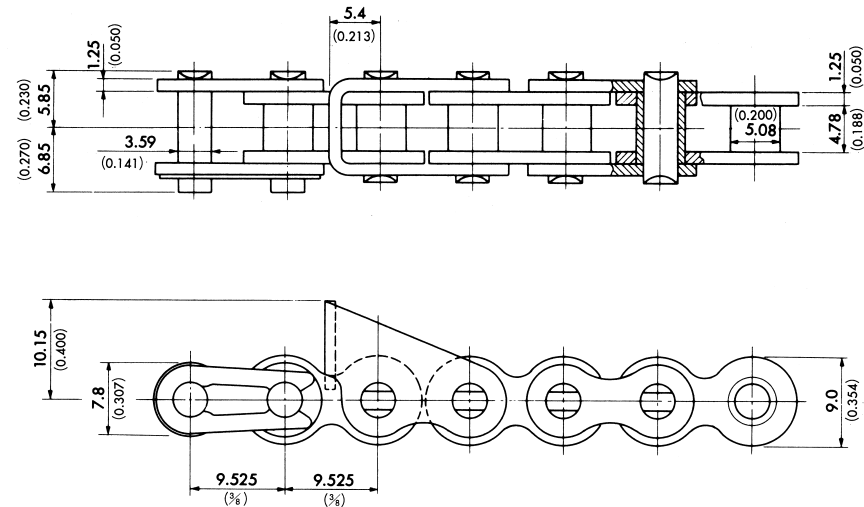


Upper dimensions . . . mm
Lower dimensions . . . inch

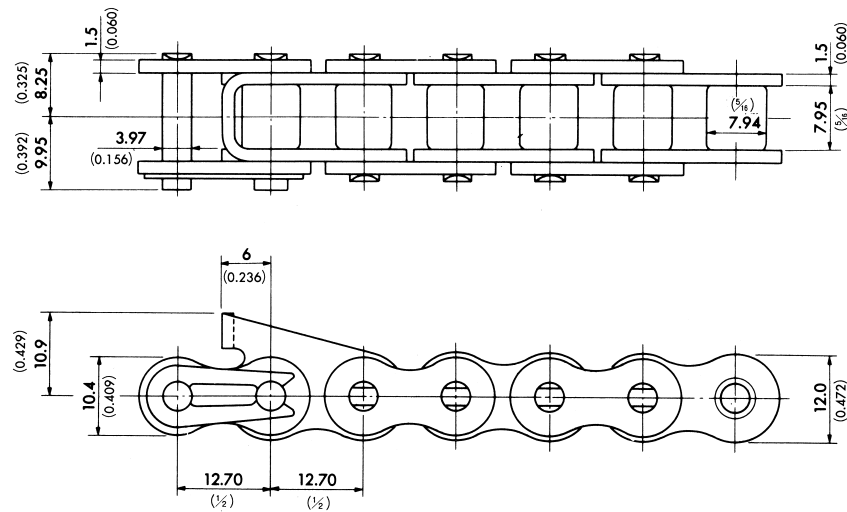
TSUBAKI Chain No.	Pitch P	Width Between Roller Link Plates W	Roller Diameter R	Bushing Diameter	Pin			Link Plate			CS	XS
					D	L ₁	L ₂	H	T ₁	T ₂		
RS 60	19.05 (³ / ₄)	12.70 (1/2)	11.91 (¹⁵ / ₃₂)	8.38 (0.330)	5.96 (0.235)	13.75 (0.541)	15.75 (0.620)	18.1 (0.712)	3.2 (0.125)	2.4 (0.094)	19.05 (0.750)	29.0 (1.142)
RS 80	25.40 (1)	15.88 (⁵ / ₈)	15.88 (⁵ / ₈)	11.37 (0.448)	7.94 (0.313)	18.30 (0.720)	20.90 (0.822)	24.1 (0.948)	4.0 (0.157)	4.0 (0.157)	31.75 (1.250)	44.45 (1.750)
RS 100	31.75 (1 1/4)	19.05 (³ / ₄)	19.05 (³ / ₄)	13.56 (0.534)	9.54 (0.376)	21.40 (0.843)	24.50 (0.965)	30.1 (1.185)	4.8 (0.188)	4.8 (0.188)	38.1 (1.500)	50.8 (2.000)

13.11 Dog Attachment chain (Chain type: KD)

RS35



RS40



Special Attachments

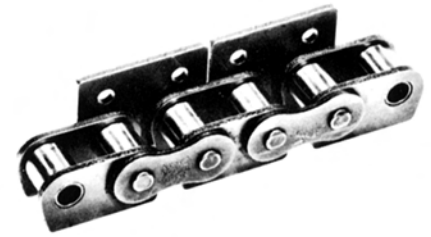
Special attachments will be designed and manufactured as requested. The photographs below show examples of special attachments, numbered for your reference.



Packaging



Special roller chain for coupling



Can processing



Roller conveyor



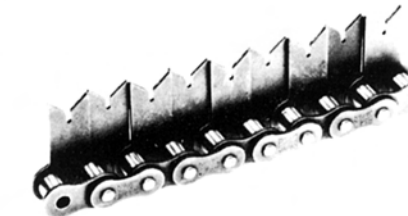
Poultry processing



Slat conveyor for electronic industry



Steel wire production



Conveying electronic parts



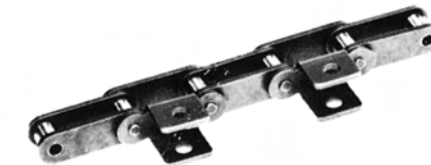
Slat conveyors in the food industry



Sanitary products processing



Conveying capacitors



Bar conveyor



Book binding



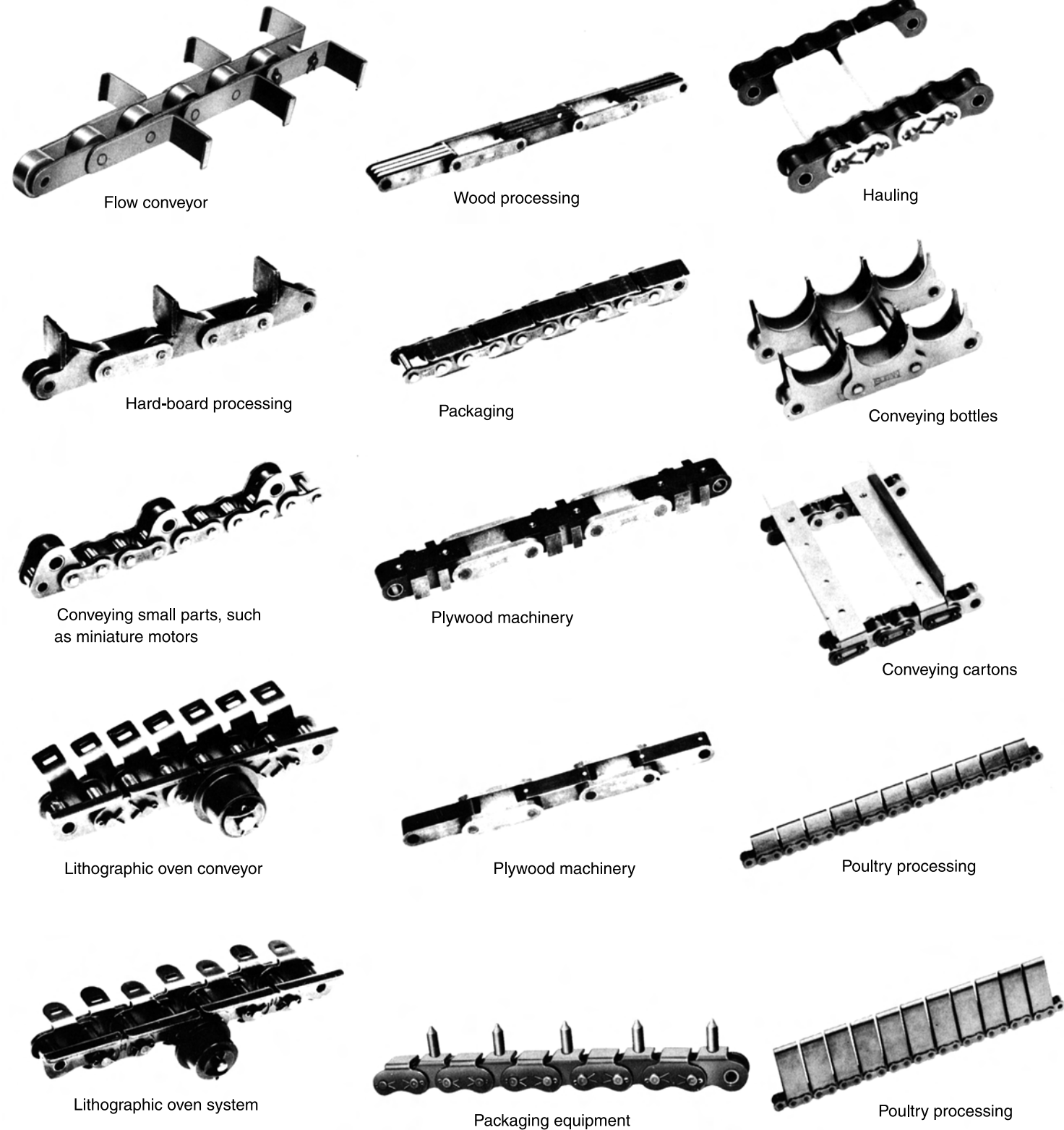
Conveying capacitors



Water sewage systems

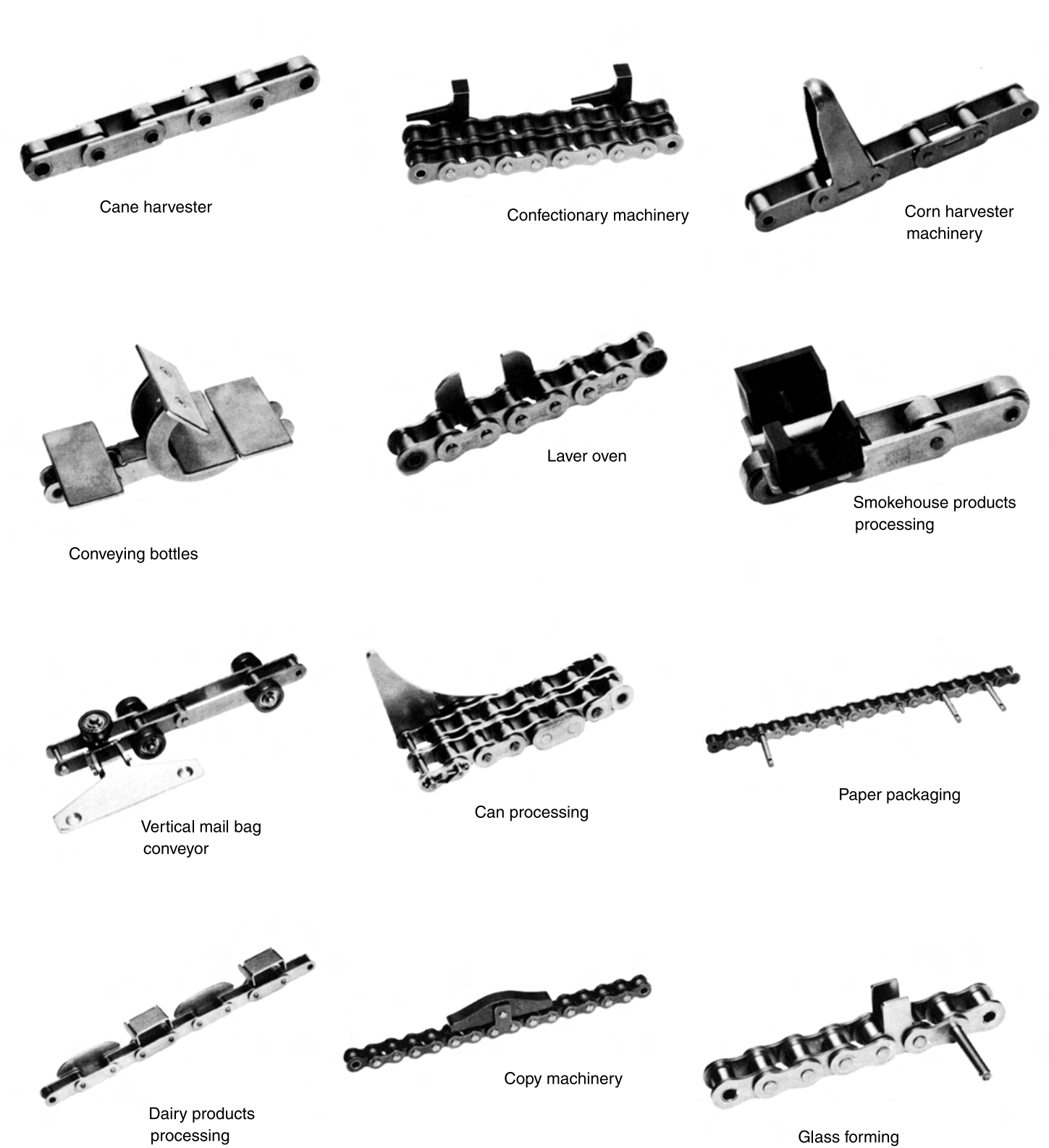
Note: Applications other than the above are also possible.

Special Attachments



Note: Applications other than the above are also possible.

Special Attachments



Note: Applications other than the above are also possible.

Special Attachments



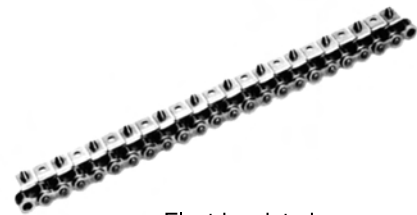
Conveying cartons



Vacuum packaging



Conveying electric parts



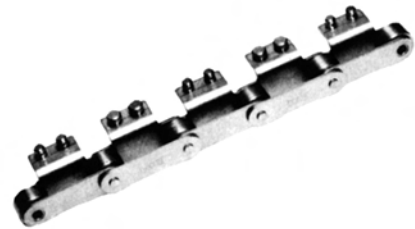
Electric printed circuit boards



Ice scraper



Bread cooling



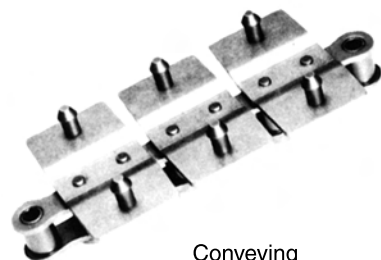
Ice-bar processing



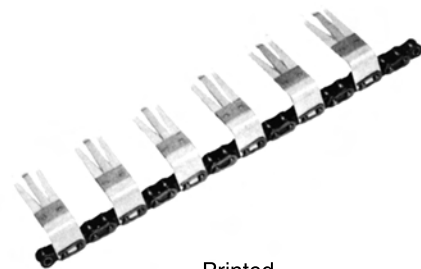
Laver oven



Conveying tin plates



Conveying bottles



Printed circuit boards

Note: Applications other than the above are also possible.

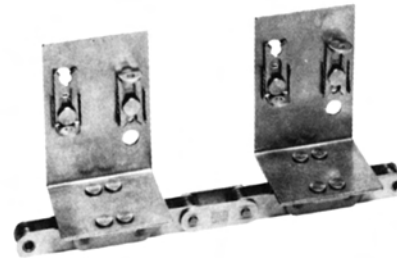
Special Attachments



Net conveyor



conveying electric parts



Popsicle processing machinery



Conveying bottles



Conveying shoes

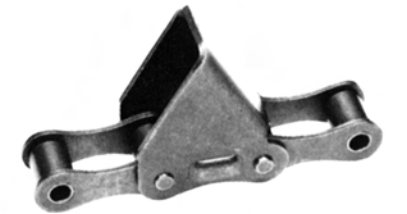


Confectionery machinery

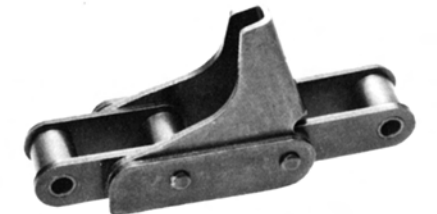
Note: Applications other than the above are also possible.



Confectionery machinery



Harvester machinery



Harvester machinery



Conveying cartons



Wood processing



TSUBAKIMOTO CHAIN CO.

Headquarters

Twin 21 MID Tower 36F
1-51, Shiromi 2-chome
Chuo-ku, Osaka 540-6136, Japan
Phone : 06-4790-0135
Facsimile : 06-4790-0142
Internet:
<http://www.tsubakimoto.com>

Affiliated Companies:

U.S. TSUBAKI, INC.
301 E. Marquardt Drive
Wheeling, IL 60090
U.S.A.
Phone : 847-459-9500
Facsimile : 847-459-9515

TSUBAKI of CANADA LIMITED

1630 Drew Road
Mississauga, Ontario, L5S 1J6
Canada
Phone : 905-676-0400
Facsimile : 905-676-0904

TSUBAKI AUSTRALIA PTY. LTD.

Unit E, 95-101 Silverwater Road
Silverwater, N.S.W. 2141
Australia
Phone : 02-9648-5269
Facsimile : 02-9648-3115

Chain Division

Global Business Department
1-3, Kannabidai 1-chome
Kyotanabe, Kyoto 610-0380, Japan
Phone : 0774-64-5022/3/4/5
Facsimile : 0774-64-5212

For further information please
contact the Chain Division.

TSUBAKIMOTO SINGAPORE PTE. LTD.

25 Gul Lane
Jurong
Singapore 629419
Phone : 68610422/3/4
Facsimile : 68617035

TAIWAN TSUBAKIMOTO CO.

No. 7 Feng Sun Keng
Kuei Shan-Hsiang, Taoyuan-Hsien
Taiwan R.O.C.
Phone : 03-3293827/8/9
Facsimile : 03-3293065

TSUBAKIMOTO EUROPE B. V.

Belder 1, 4704 RK Roosendaal
The Netherlands
Phone : 0165-594800
Facsimile : 0165-549450



Kyotanabe Plant

TSUBAKIMOTO U.K. LTD.

Osier Drive, Sherwood Park
Annesley,
Nottingham NG15 0DX U.K.
Phone : 01523-688-700
Facsimile : 01523-688-789

KONING AANDRIJFTECHNIEK

Waalhaven Z/Z 42
3088 HJ Rotterdam
The Netherlands
Phone : (10)494-1818
Facsimile : (10)429-4906

TSUBAKIMOTO (Thailand) CO., LTD.

Room No. C.T.W.Y OFFICE CENTER,
10th Floor, Serm-Mit Tower,
159 Soi Asoke, Sukhumvit Road,
North-Klongtoey, Wattana, Bangkok 10110
Thailand
Phone : 66-2-261-9901,2
Facsimile : 66-2-261-9993

Distributed by: